

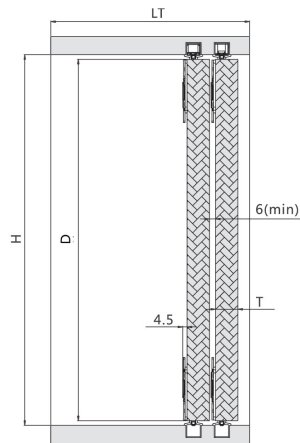
Just Released

> New products from Lincoln Sentry

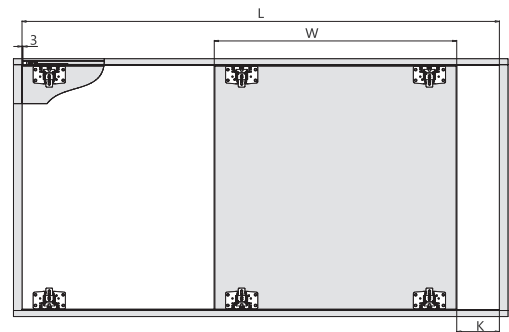
Planning - TRACK-PRO Sliding Door

Sliding Door Installation Dimensions (mm)

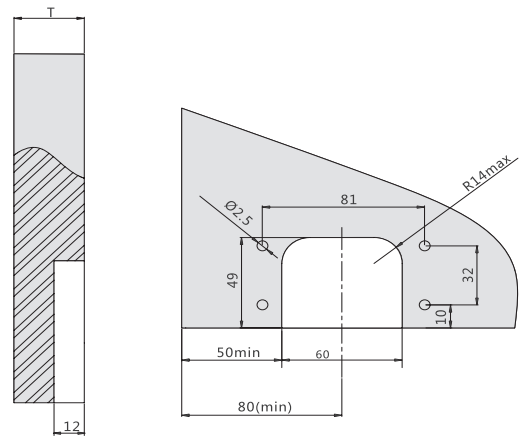
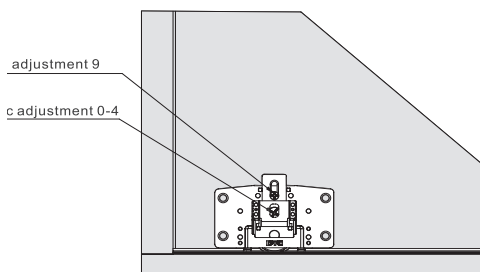
- H = wardrobe internal height
- LT = wardrobe internal depth
- T = door thickness
- Wardrobe internal depth: LT = 95(min)
- Door height $D = H - 12^{+3/0}$
- Door thickness $T \geq 16$
- Distance from door bottom to bottom track surface: 2~11



- W = door width
- L = wardrobe internal width
- Door width: $W = L/2 + 15$
- Door self-closing distance $k = 50$



Sliding Door Drilling Dimensions (mm)



Top and Bottom Track Installation Dimensions (mm)

