

# DESKLIFT DL12

## Features:

- 3-part inline column
- Rectangular profiles, outer profile 60 x 100 mm
- Thrust: up to 700 N per column
- Speed level: up to 38 mm/s
- Standard installation dimension: 518 mm or 545 mm
- Standard stroke length: 660 mm
- Colour: all parts black (RAL 9005), all parts grey (RAL 9006) or all parts white (RAL 9016)
- Invisible gliding pads for optimised design
- Minimum spacing between the profiles for optimised design
- PIEZO™ minimising the risk for material damages on/around the desk
- PVC-free column for a more environmentally friendly product
- Low pleasant noise level
- Synchronous drive of the middle profile
- Separate motor cable (black: 200 mm, 500 mm, 1000 mm, 2000 mm or 2500 mm)
- Bending moment:  $M_y = \text{max. } 150 \text{ Nm dynamic}$

## Options:

- Customised colours
- Bracket for crossbar (customised version)
- Motor housing adapter mounted or as a separate unit. Always black

## Usage:

- Single or 2, 3, 4 parallel drive
- Duty cycle: 10 % ~ 6 min. per hour or 2 min. at continuous use at full load
- Ambient temperature: +10° to +40 °C
- Compatible with control boxes CBD4, CBD6S and DESKLINE® controls
- Approved according to EN 60335-1
- Approved according to UL 962 with CBD6S
- Will be approved according to UL 962 with CBD6S
- Storage and transport temperature: -10 °C to +70 °C

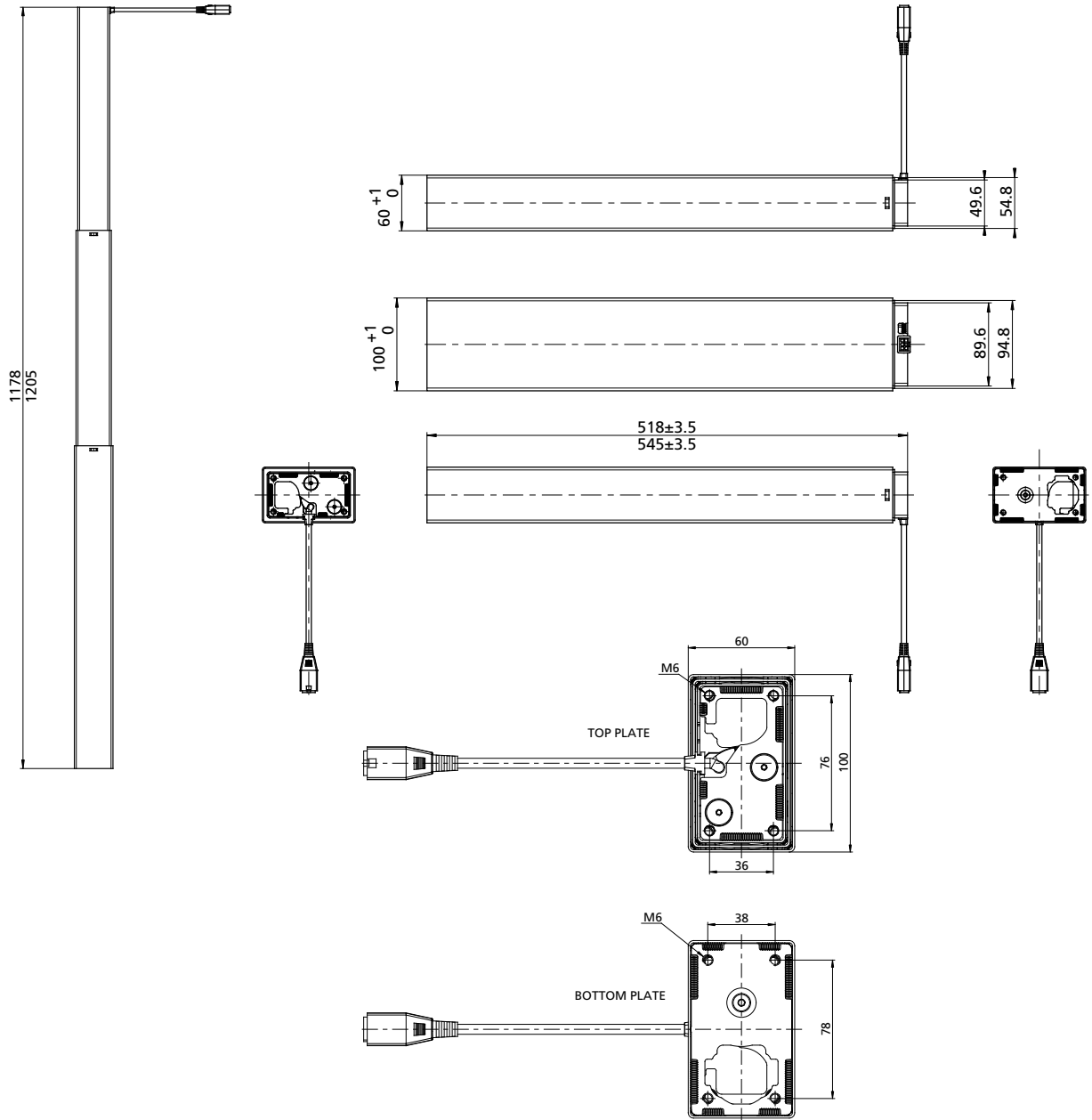
DESKLINE®  
IMPROVING ERGONOMICS



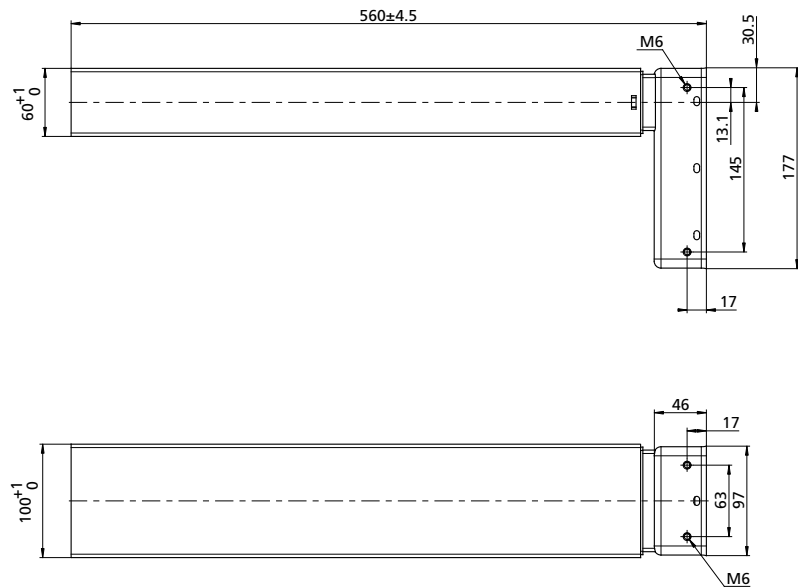
The DESKLINE® DL12 column sets the standards for inline columns and is a perfect choice for a wide range of applications. The DL12 is pleasing to the eye with invisible gliding pads and minimum spacing between the column profiles provides a streamlined silhouette. The compact, rectangular column was developed to fulfil the market requirements for a low built-in dimension and at the same time a long stroke length. Furthermore, the column is designed for desks without crossbar ensuring more leg space and more design possibilities. As standard, the DL12 features PIEZO™ – an integrated sensor minimising the risk for damages on a desk caused by squeezing or blocking of obstacles in up or down direction. The DL12 is developed without PVC, which is an environmental advantage. The column comes standard with black, silver-grey or white profiles or simply in a customised colour (optional).

The DL12 is compatible with all DESKLINE® control boxes and controls – simply just plug & play.

Drawings:



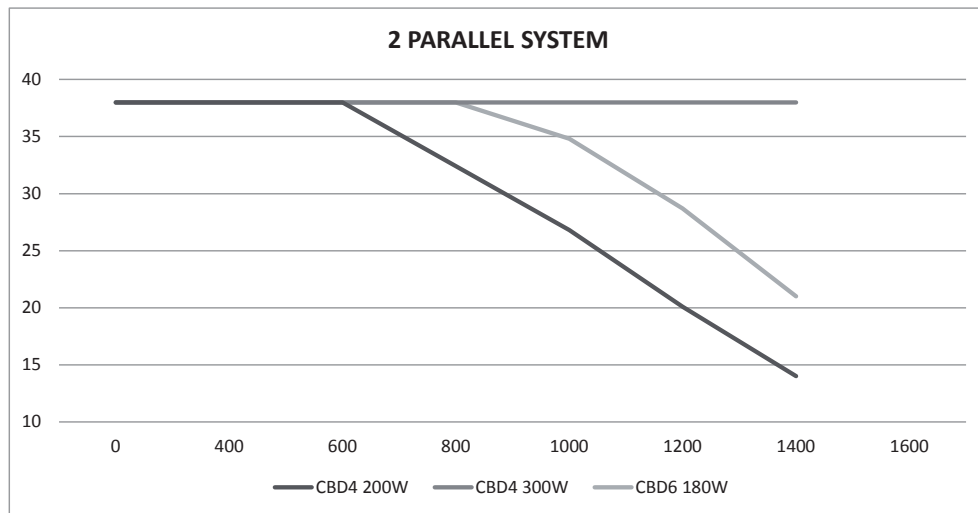
Motor housing adapter, mounted (optional)



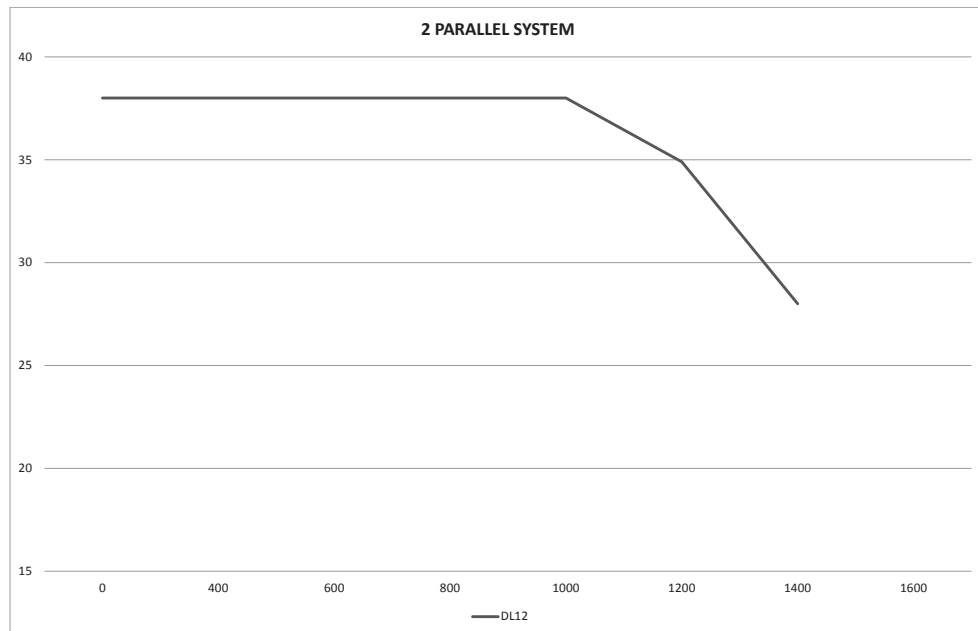
**Technical specifications:**

| Type/<br>Application   | Thrust<br>Max. (N)<br>per DL12 | Bending<br>moment<br>Max. (Nm) | Self-locking<br>(N)<br>per DL12 | Speed<br>unloaded<br>(mm/s) | Duty cycle<br>(%) |
|------------------------|--------------------------------|--------------------------------|---------------------------------|-----------------------------|-------------------|
| DL12<br>(office desks) | 700                            | 150                            | 700                             | 38                          | 10                |

**Speed measurements with CBD4, CBD6:**



**Speed measurements with CBD6S:**



The above curve applies to a centrally placed load. With moment load there will be an increased friction in the columns, which will reduce the lifting force correspondingly.



Be aware that the DL12 DESKLINE® system may only be used in push applications.

## DL12

### Ordering example:

|      |   |   |   |   |   |   |     |     |                                |   |
|------|---|---|---|---|---|---|-----|-----|--------------------------------|---|
| DL12 | 0 | 0 | 0 | B | 0 | E | 660 | 518 |                                |   |
|      |   |   |   |   |   |   |     |     | <b>Installation dimension:</b> | 518 = 518 mm<br>545 = 545 mm                                  |
|      |   |   |   |   |   |   |     |     | <b>Stroke length:</b>          | 660 = 660 mm  |
|      |   |   |   |   |   |   |     |     | <b>Motor type:</b>             | E = PIEZO & IID   |
|      |   |   |   |   |   |   |     |     | <b>Option:</b>                 | 0 = Standard<br>M = Motorhouse Adapter mount                  |
|      |   |   |   |   |   |   |     |     | <b>Colour:</b>                 | A = Grey RAL 9006<br>B = Black RAL 9005<br>D = White RAL 9016 |
|      |   |   |   |   |   |   |     |     | <b>Option:</b>                 | 0 = Standard  |
|      |   |   |   |   |   |   |     |     | <b>Cable:</b>                  | 0 = 200 mm  |
|      |   |   |   |   |   |   |     |     | <b>Spindle type:</b>           | 0 = 2 x 10 mm pitch   |
|      |   |   |   |   |   |   |     |     | <b>Type:</b>                   | DL12  |



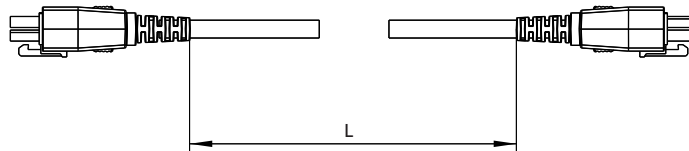
#### Separate motor housing:

The motor housing adapter can also be ordered as a separate part. Article number: HOUSINGDL12-001. The housing will always be black. Please observe that if the motor housing adapter is chosen it increases the installation dimension with 42 mm.



Motor cables must be ordered separately:

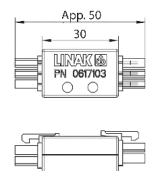
Motor cable:



|                          |              |   |
|--------------------------|--------------|---|
| <b>Ordering numbers:</b> | 0617101      | L = 200 mm black motor cable            |
|                          | 0617100      | L = 1000 mm black motor cable           |
|                          | 0617200      | L = 2000 mm black motor cable           |
|                          | 0617250      | L = 2500 mm black motor cable           |
|                          | 0617102-500  | L = 500 mm black motor cable, PVC free  |
|                          | 0617102-1000 | L = 1000 mm black motor cable, PVC free |
|                          | 0617103      | Minifit connector, PVC free             |

#### Minifit Connector (0617103)

For optimised cable management you can replace one motor cable with Minifit Connector which basically is a double plug. Using this Minifit Connector means that the control box is placed close to one leg. Typical a Minifit Connector and a 1.0 m cable is enough for a standard desk.



#### Terms of use

The user is responsible for determining the suitability of LINAK products for specific application. LINAK takes great care in providing accurate and up-to-date information on its products. However, due to continuous development in order to improve its products, LINAK products are subject to frequent modifications and changes without prior notice. Therefore, LINAK cannot guarantee the correct and actual status of said information on its products. While LINAK uses its best efforts to fulfil orders, LINAK cannot, for the same reasons as mentioned above, guarantee the availability of any particular product. Therefore, LINAK reserves the right to discontinue the sale of any product displayed on its website or listed in its catalogues or other written material drawn up by LINAK. All sales are subject to the Standard Terms of Sale and Delivery for LINAK. For a copy hereof, please contact LINAK.