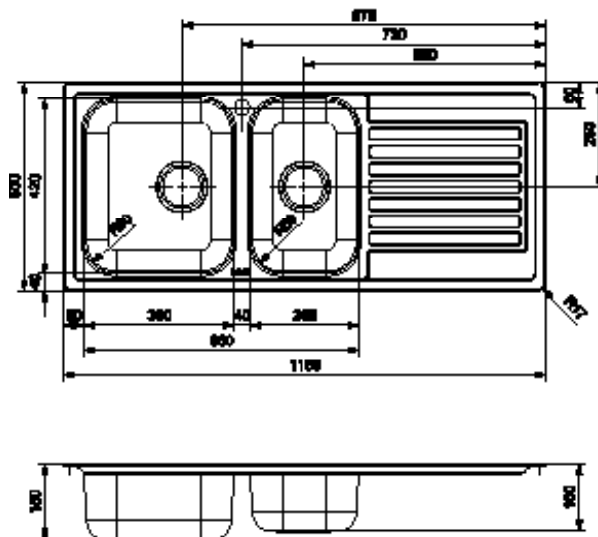




# MONARCH MAIN & 3/4 BOWLS WITH DRAINER

**Product Image** **Technical Specification**



<b>S1145</b>  <b>A</b>	<b>DR002</b>  <b>B</b>	<b>R1035 + S1145</b>  <b>C</b>	<b>AW100</b>  <b>D</b>	<b>R1056</b>  <b>E</b>	<b>R1035</b>  <b>F</b>
------------------------------	------------------------------	--------------------------------------	------------------------------	------------------------------	------------------------------

Description	
MONARCH BOWL & 3/4 WITH DRAINER	
RIGHT HAND DRAINER	
<b>R27417</b>	1 Tap Hole RH Drainer
<b>R27417FDCB</b>	Main & 3/4 Bowls with RH Drainer includes <b>B C</b>
LEFT HAND DRAINER	
<b>R27349</b>	1 Tap Hole LH Drainer
<b>R27349FDCB</b>	Main & 3/4 Bowls with LH Drainer includes <b>B C</b>
NO TAP HOLE	
<b>R27332</b>	No Tap Hole
<b>R27332FDCB</b>	Main & 3/4 Bowls with Drainer includes <b>B C</b>

Additional Information
<ul style="list-style-type: none"> <li>• Design Overflow</li> <li>• Round basket waste</li> <li>• 304 Stainless Steel Polished Inox Finish</li> <li>• Top Mount installation</li> <li>• 27/16 Litre Capacity</li> <li>• Suit 700 Carcass or Larger</li> </ul>
<p><b>INSTALLATION DISCLAIMER</b> ALL TEMPLATES, LINE DRAWINGS &amp; ELECTRONIC FILES ARE SUPPLIED AS A GUIDE ONLY. PLEASE CROSS CHECK WITH ACTUAL BOWL BEFORE COMMENCING ANY CUTOUT AND ENSURE RADII ARE SUITABLE TO BENCHTOP MATERIAL TOLERANCES. ARGENT ACCEPTS NO RESPONSIBILITY FOR CUTOUT ERRORS. *SINKS WITH OVERFLOWS WILL NEED ALLOWANCE IN BENCHTOPS WHEN TOP MOUNTING – PLEASE CROSS CHECK WITH ACTUAL BOWL TO ASSIST*</p>

