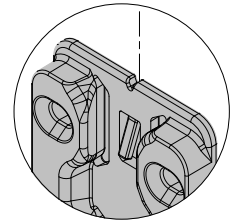
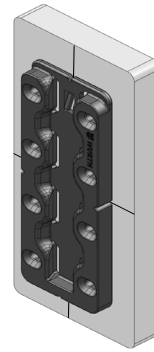




## Flush Mounting Horizontal or Vertical

1

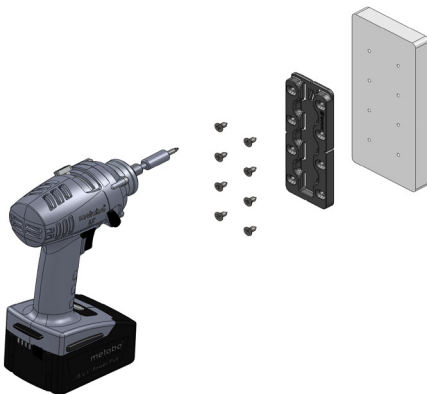


Alignment Notches

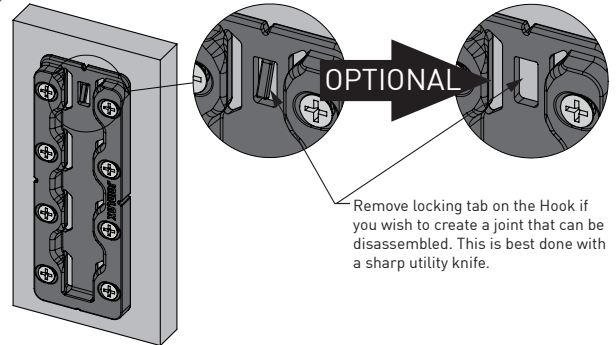
Material	High Strength Reinforced Nylon
Colour	Black
Fixing Method	8G Screws (16x) or Glue

Mark center lines, vertical and horizontal, on both substrates. Flush mounting requires no additional preparation. Line the notches in each component (Hook shown here) with the center lines. **Mark-Out Template** can also be used.

2



3

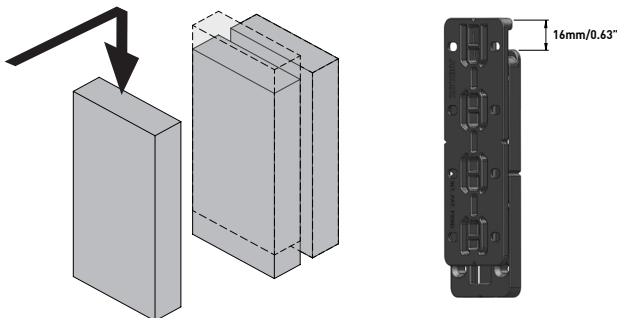


Hold the component in place and fasten to the substrate/surface with 8 x 8G screws. Repeat for matching component. Ensure sufficient screw embedment in substrate. **IMPORTANT: All screw heads must be flush.**

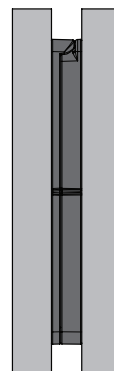
### IMPORTANT NOTE:

Prior to assembly, establish whether the joint is to be permanent or will need to be disassembled.

4



5



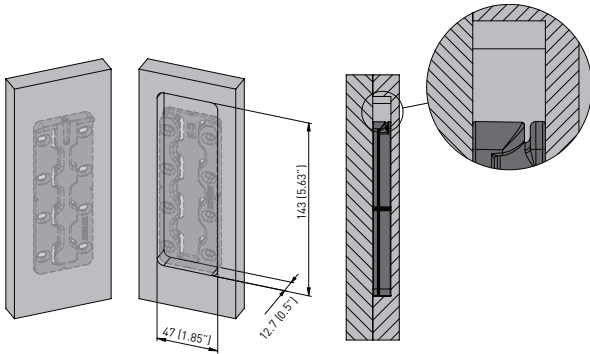
See second page for **Rebate** mounting options.

Assembly the joint remembering the Pro 55 only needs to travel 1 pitch for full engagement. (16mm-5/8"). If horizontal, push and slide Left to Right or Right to left.

When assembled, the substrates will be separated by the thickness of the engaged Pro 55. (12.7mm - 1/2")

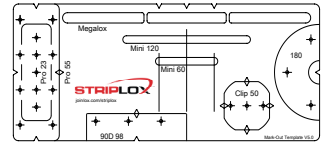
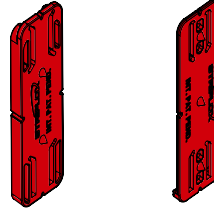
## Rebate Mounting

1



**Full Rebate** - 1 of the substrate mounting faces is rebated the full depth as shown. Ensure sufficient screw embedment in substrate. Recess 12.7mm/1/2"

## Installation Aids



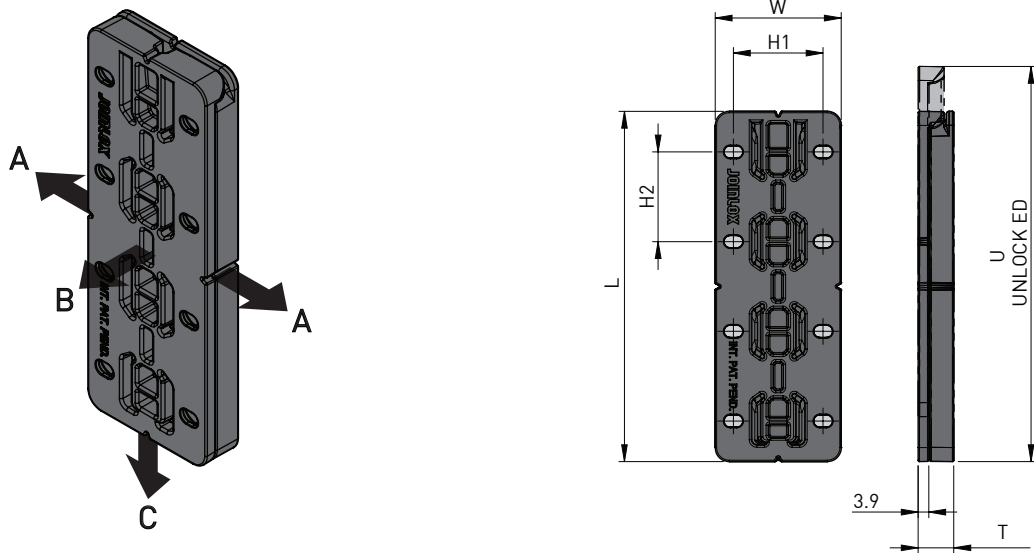
### Striplox Markout Jigs

These jigs can be used to accurately mark holes for mounting the Pro 55. Mount one half of the Pro 55. Attach correct jig and press in position to find centres for mounting to other half.

### Striplox Mark-Out Template

Developed to aid in the installation of all of the Striplox Products.

## Dimensions and Load Capacity



	Dimensions						Ind. Load Capacity		
Units	W	L	T	U	H1	H2	A	B	C
Metric (mm/kg)	45	126	12.8	142	32	32	200	106	200
Imperial (in/lbs)	1.77	4.96	0.5	5.59	1.26	1.26	440	233	440

Striplox products are designed and tested for a range of applications. Product use is subject to variable materials and conditions. Technical information and load capacities are a guide only without warranty. joinlox will not be liable for any subsequent damage to, or loss from, the use of these products or this information.

Visit [joinlox.com/striplox](http://joinlox.com/striplox) YouTube (V=Jg8102RAtz8) or call 1800 JOINLOX to find out more about these installation aids.

Striplox™ and Joinlox® are trademark and patent protected internationally.

Installation Guide Pro 55 - V1.0 25.06.18