



# U-Fix Toilet Cubicles

> Pre-cut, pre-drilled and ready to install



# A simple standard design to make ordering stress-free



## What does a TPI U-Fix flat pack partition kit offer you?

### Features & Benefits

- Made to order partition kits for either toilet or shower cubicles that are pre-cut, pre-drilled and ready to install
- Ability to order either compact laminate where specification calls for hose out cleaning - schools, council toilets, pubs etc or HMR MDF (highly moisture resistant) which is suitable for wipe down cleaning - office fit outs
- Pre-cut board leaves you with no leftover board wastage
- No minimum order quality
- Partitions dispatched 10 working days after receiving the order to anywhere in Australia
- Simple and easy way of expanding your product offer for your next project submission
- Lincoln Sentry will deliver the flat packed cubicles on a pallet to anywhere in Australia
- Pedestal mounted and overhead braced

### Design Elements

- 20 different colours & finishes to choose from
- Heavy duty 0.45kg/m purpose designed aluminium channel with 20 micron clear anodising
- Stainless steel pedestals with height adjustment
- Door furniture – Concealed fix door furniture kit including 3 hinges, lockset, indicator, door bumper, coat hook/doorstop
- Australian made

## 4 easy steps to ordering

- 1 STYLE OF LAYOUT**  
Choose from 3 different styles of layout.
- 2 NUMBER OF CUBICLES, DOOR HINGES**  
You can order just 1 cubicle – there is no minimum order quantity.
- 3 MATERIAL & HARDWARE SELECTION**  
Choose either compact laminate or MR MDF board.
- 4 COLOUR SELECTION**  
Choose from over 20 different colour options.

And Lincoln Sentry does the rest.

## Install Images

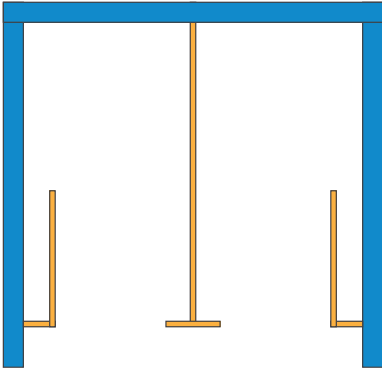


# Layout Styles

U-Fix flat pack partition kits offer you 3 different styles of layouts.

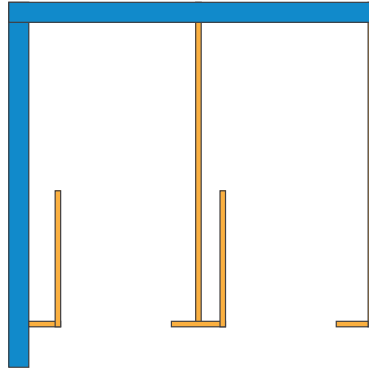
## Wall to Wall

Cubicles are installed between two solid walls



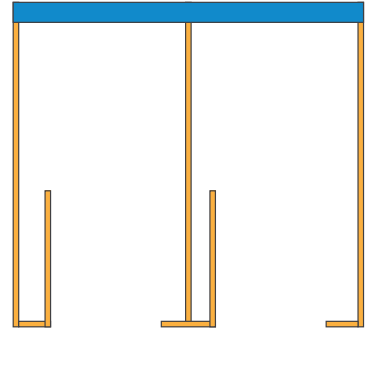
## Single Wall

Cubicles are installed between one single wall (either left or right) and one partition side (supplied as part of the flat pack)



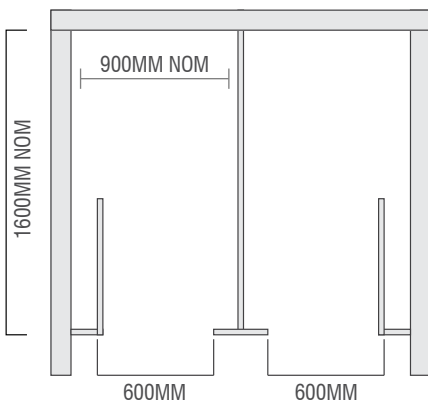
## Partition Walls

Cubicles are installed between two partition sides (supplied as part of the flat pack)

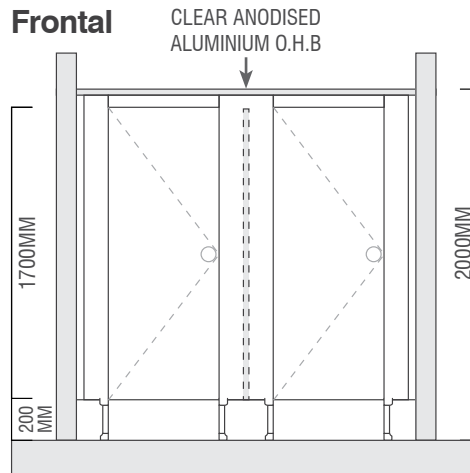


# Standard Design Specifications

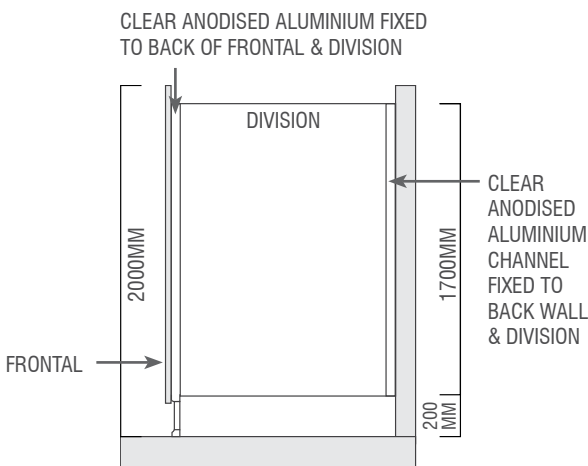
## Overhead



## Frontal



## Side



## Choice of either:

- 13mm compact laminate board (waterproof)
- 18mm MR MDF board
- Over 20 different colours in solid or woodgrain print

## Standard specifications:

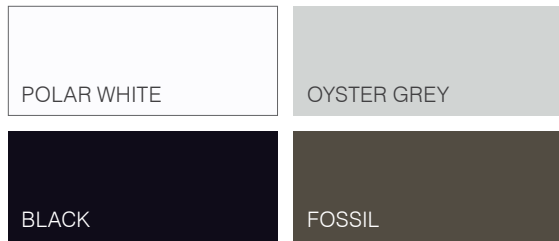
- Door opening = 600mm\*
- Cubicle width = 900mm\*
- Cubicle depth = 1000mm\*
- Cubicle height = 2000mm
- Cubicle door hung on left or right

\* Custom designs can be requested – Please contact your Lincoln Sentry Territory Manager to request a non-standard quote.

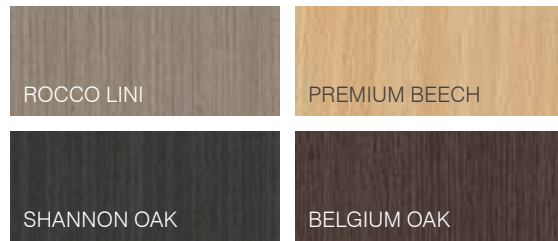
# Colour Selection

Your U-Fix toilet cubicles can be supplied in over 20 different colours in both solid and woodgrain finishes.

## Samples of solid colours:



## Samples of woodgrains:



Please see [www.lincolnsentry.com.au](http://www.lincolnsentry.com.au) for current colour selection options.

# Partition Hardware

Each TPI cubicle comes with the following partition hardware:



## Choice of either:

DOOR HARDWARE OPTION 1\*



DOOR HARDWARE OPTION 2\*



And also based on your colour selections:

- 1 x Door - for 600mm opening
- 1 x Division - 1600mm long
- 1 x Division channel
- 1 x Frontal (division mounted)
- 1 x Nib and mounting channel (wall mounted)
- All cubicle fixtures & fittings

\*One set provided per cubicle.

# Manufacturing, Transport & Warranty

Your finished custom made toilet cubicles will be ready for dispatch **10 working days** from receipt of your signed order. Once production is finished the cubicles are loaded into a specially made crate in lots of 10's and delivered directly to your requested delivery location.

## Warranty

Lincoln Sentry will be offering the following warranties on materials used in the manufacturing of the toilet cubicles:

Warranty	
Contact laminate board	10 year warranty
MR MDF board	7 year warranty
Fixtures and fittings	12 month warranty



# Toilet Partition Flat Pack Order/Quote Form

Quote      OR       Order

Customer Name	
Job Name	
Delivery Address	
Contact Name	
Phone Number	
Email Address	

Customer Order No.	
Date Order	
Date Required	

**1** STYLE OF LAYOUT (SELECT ONE) Refer to page 3 for layout style references.

Wall to Wall       Nib Mounted (Left)       Nib Mounted (Right)       Nib Mounted (both Left & Right)

**2A** NUMBER OF CUBICLES      **2B** DOOR HINGES



Left Hand Hinges

OR



Right Hand Hinges

*Handing is determined from the inside.* A Left Hand kit has the hinge on the left hand side; A Right Hand kit has the hinge on the right hand side (while standing inside the cubicle)

**3A** MATERIAL SELECTION      **3B** HARDWARE SELECTION Refer to page 4.

18mm MR MDF Board    OR     13mm Compact Laminate Board       Option 1    OR     Option 2

**4A** COLOUR SELECTION - RANGE

Polytec Range      OR       Laminex Range

**4B** COLOUR SELECTION - DIVISION FRONTALS & NIBS

Solid Colour     

OR

Woodgrain Print     

**4c** COLOUR SELECTION - DOORS

Solid Colour     

OR

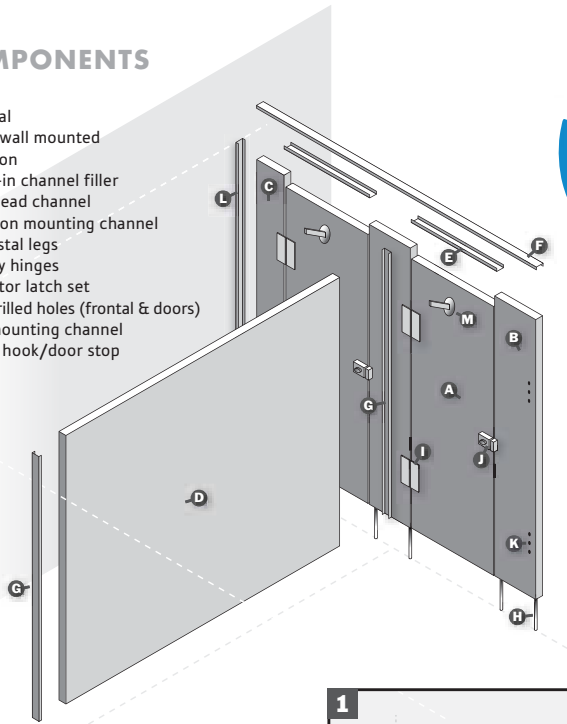
Woodgrain Print     

NOTES	CLIENT SIGNATURE	QUOTE REFERENCE
<input type="text"/>	<input type="text"/>	\$ <input type="text"/>
<input type="text"/>		
<input type="text"/>		
<input type="text"/>		

For quotes and orders please fax to 1300 739 656 or email to [sales@lincolnsentry.com.au](mailto:sales@lincolnsentry.com.au).  
To speak to a Lincoln Sentry Sales Representative please call the National Customer Service Centre on 1300 551 919.

## COMPONENTS

- A. Door
- B. Frontal
- C. Nib - wall mounted
- D. Division
- E. Snap-in channel filler
- F. Overhead channel
- G. Division mounting channel
- H. Pedestal legs
- I. Gravity hinges
- J. Indicator latch set
- K. Pre drilled holes (frontal & doors)
- L. Nib mounting channel
- M. Coat hook/door stop

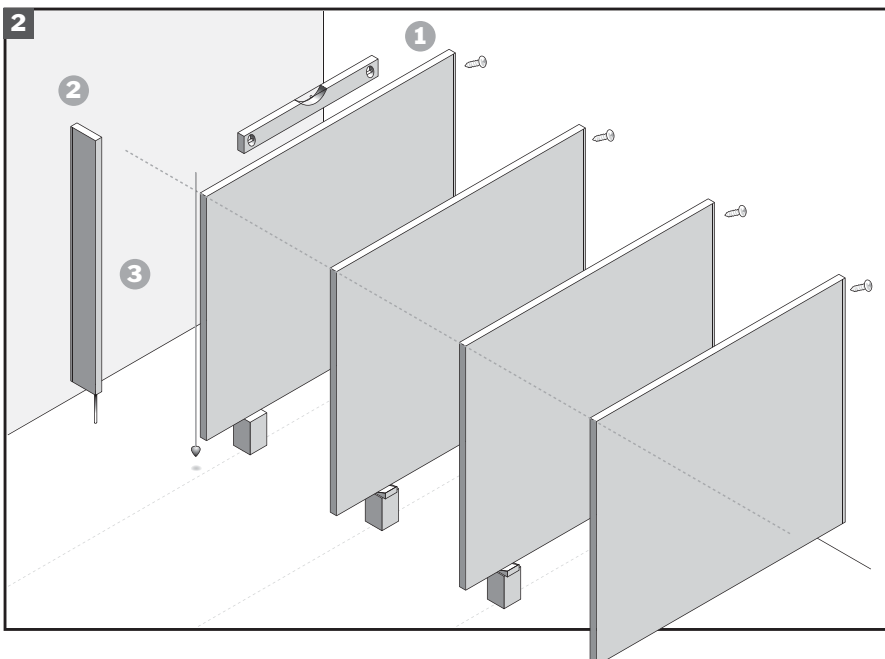
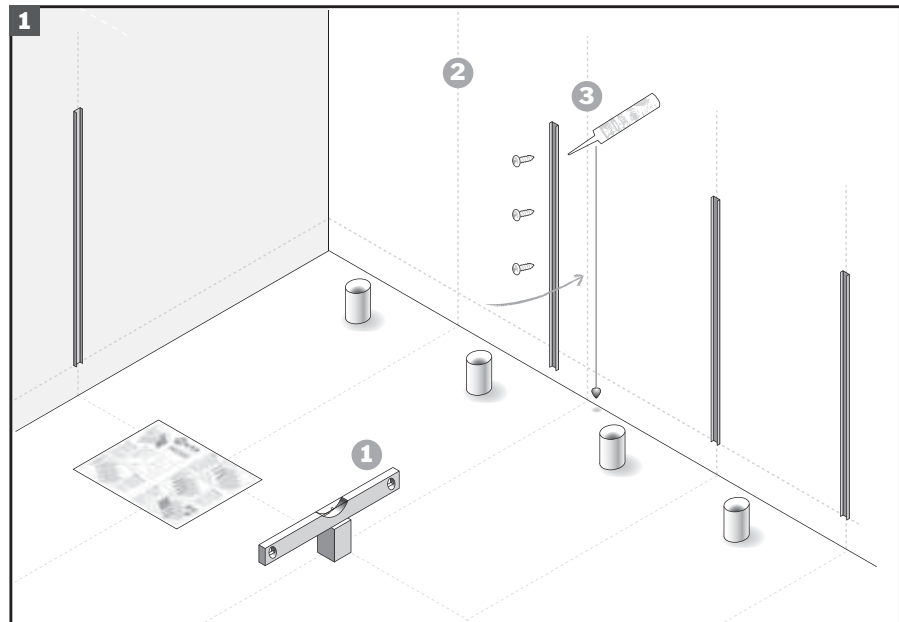


## INSTALLATION GUIDE PEDESTAL MOUNTED & OVERHEAD BRACED

### Step one

## Plum & level

- 1) Check floor levels along the line of the cubicle face. Find the floor's highest point, this will be your datum level. The underside of your partitions will be nominally 200mm above this point. Note: TPI pedestals have an adjustment range of 45mm (185mm to 230mm).
- 2) Set out your division panel centres evenly between the waste outlets or pans.
- 3) Fit the 1698mm division panel mounting channels to the back wall. To provide added security run a small bead of silicone down the back of the channels in line with the holes. Wall plugs are provided when fixing into masonry walls. Ensure all channels are plum and level when finished.



### Step two

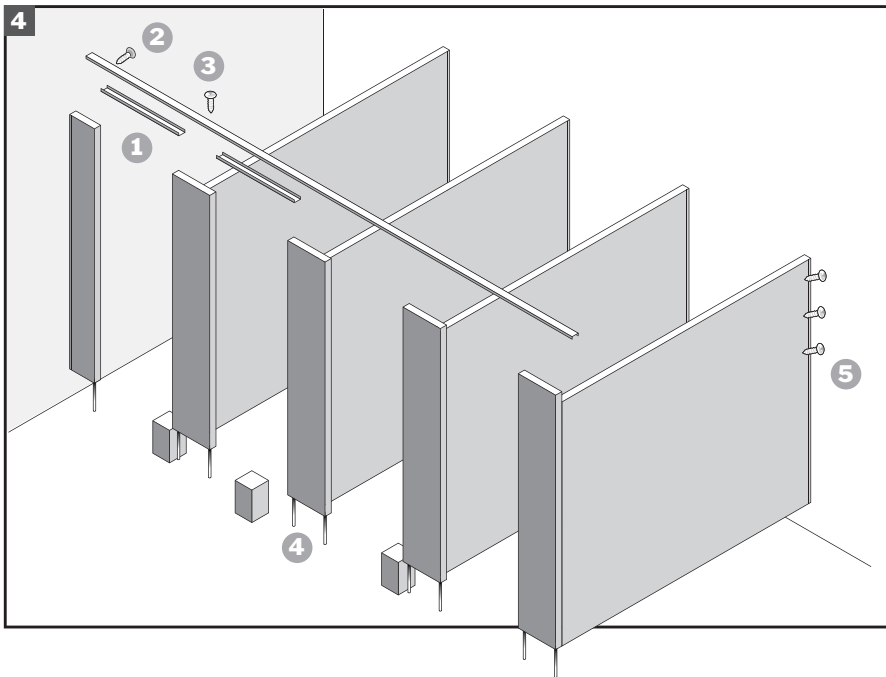
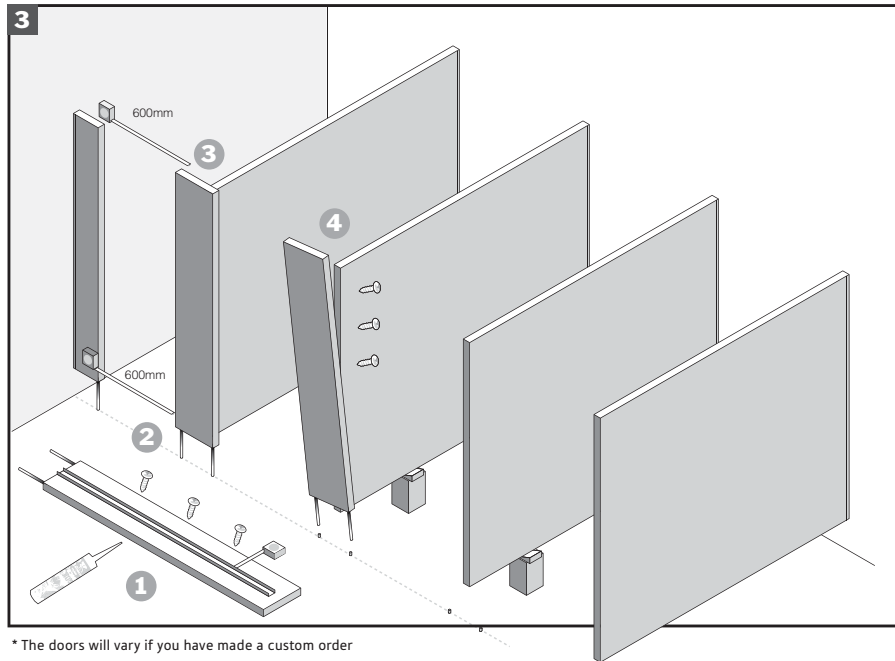
## Fitting walls

- 1) Slot the division panels into their mounting channels. Use the leveling blocks to support them and pack off where needed. Check the panels are a straight and level with the top & bottom front corners all lining up. Note: If they are not, float the division panel in the mounting channels until you achieve this. Now your panels are in line and level, fix them off with one screw in the wall channel (the remaining screws can go in at stage 4).
- 2) Fit both 1770mm nib mounting channels to the side walls as per the back mounting channels.
- 3) Fix one nib into the wall mounting channel in the same manner. Check it's plumb and level before fixing.

### Step three

## Frontals

- 1) Room variants can require irregular cubicle widths. With this in mind calculate the exact spacing of frontals & mounting channels before fixing the channels to the frontal's inside face. While attaching the mounting channels also fit the pedestals.
- 2) Flick a chalk line between the centres of the nib mounting channels. This line will be the fixing line of the pedestal fixing plates.
- 3) Starting from the wall, slide the first frontal channel over the edge of the division panel. When pump the parallel gap between nib and frontal should be 600mm\*. The legs should be resting on the chalk line. Mark the leg's centres.
- 4) With the leg position and centres marked, fix the leg plates to the floor then lower the frontal into position. Fix off the divisions channel with screws. Repeat the procedure for the remaining adjacent frontals. Finish by fitting the second nib panel to the wall.



### Step four

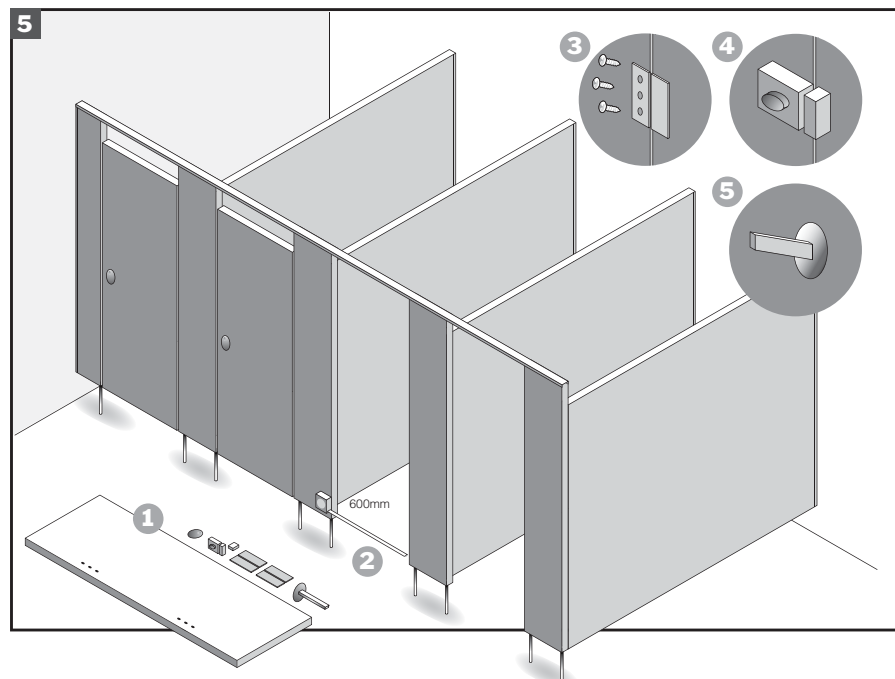
## Head track

- 1) Cut the aluminum head track to length and position over frontals and nibs. Starting at the nib wall, snap the 600mm aluminum inserts into the sections above the doors. Push hard to ensure they fix and repeat across room.
- 2) If using the square brace profile you will screw through the inside face.
- 3) If using the round brace profile you will screw down into the top edge of the frontals and nibs.
- 4) With the head track fitted, check all the legs are extended firmly to the floor and tighten the grub screws at the bottom with the allen key provided.
- 5) Fix off all the rear divisions with the screws provided.

### Step five

## Doors

- 1) Use the pre drilled holes to fix the hinges, indicators and door stops to the doors using the screws provided. Don't fit the coat hook/door stops yet.
- 2) Check all your door gaps are 600mm and parallel. Place the door into the opening ensuring the bottom of the door is level with the bottom edge of the frontal.
- 3) Fit the the door with an equal door gap. Use the hinges to give you hole positions on the frontals. Drill and fix into position.
- 4) Fix the staple to the frontal ensuring a smooth fix when the indicator latch is rotated to the closed position.
- 5) When all the doors are fitted install the coat hook/door stop ensuring none of the door hardware hits the division panel or wall.





**National Customer Service:**  
**Ph: 1300 551 919**  
**Fax: 1300 739 656**

[www.lincolnsentry.com.au](http://www.lincolnsentry.com.au)

Scan QR code to find  
your nearest branch



For locations please visit  
<http://www.lincolnsentry.com.au/contact-us/locations>

 **LINCOLN**  
S E N T R Y