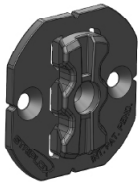


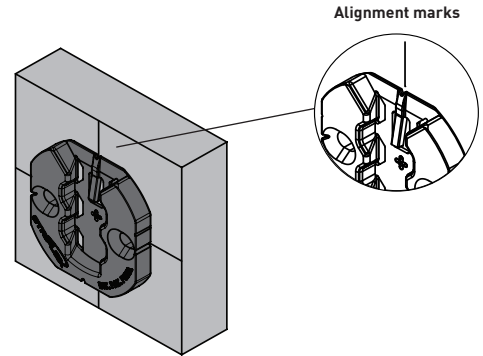
Flush Mounting Horizontal or Vertical

Key



Hook

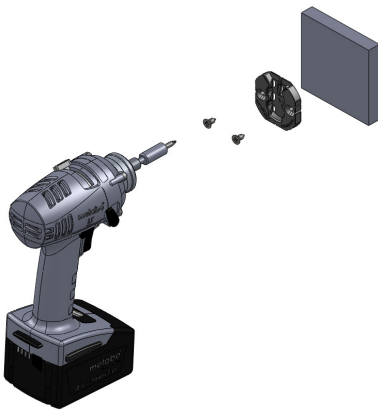
1



Mark center lines, vertically and horizontally, on both substrates. Flush mounting requires no additional preparation. Line the notches in each component (Hook shown here) with the center lines. **Markout Template** can also be used.

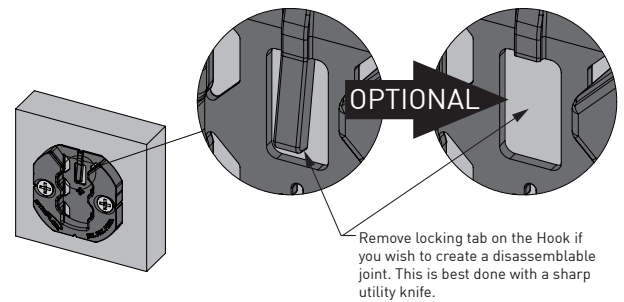
Material	High Strength Reinforced Nylon
Colour	Black
Fixing Method	8G Screws (5x) or Glue

2



Hold the component in place and fasten to the substrate/surface with 8G screws. Repeat for matching component. Ensure sufficient screw embedment in substrate. **IMPORTANT** all screws must be flush.

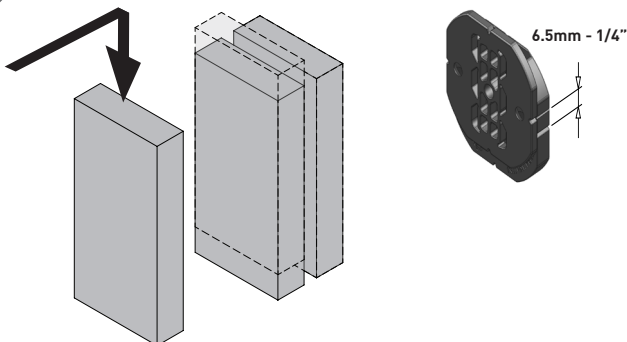
3



Remove locking tab on the Hook if you wish to create a disassemblable joint. This is best done with a sharp utility knife.

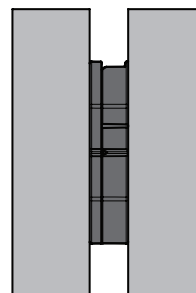
IMPORTANT NOTE: Prior to assembly, establish whether the joint is to be permanent or will need to be disassembled. If it is to be disassembled then remove the locking tab.

4



Assemble the joint remembering the Clip 50 only needs to travel 1 pitch for full engagement. (6.5mm - 1/4") or if horizontal push and slide LH to RH, or RH to LH.

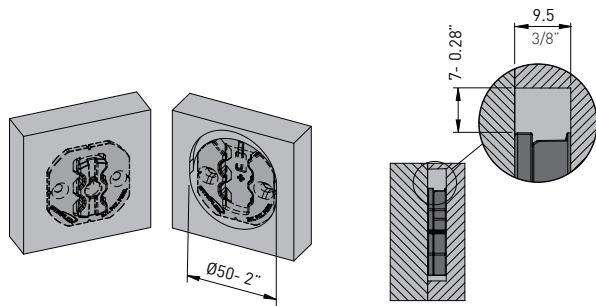
5



See second page for **Rebate** mounting options.

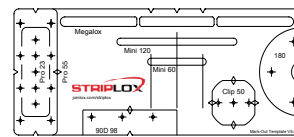
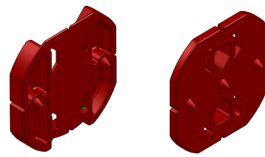
When assembled, the substrates will be separated by the thickness of the engaged Clip 50. (9.5mm - 3/8")

Rebate Mounting



Full Rebate - Rebate a total depth of 9.5mm (3/8"), with either a 50mm dia cutter or by making a 45mm X 50mm rebate either vertically or horizontally. Depending on assembly direction.

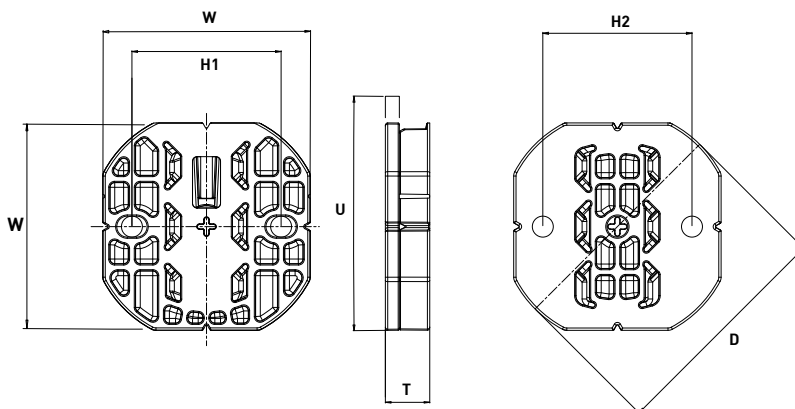
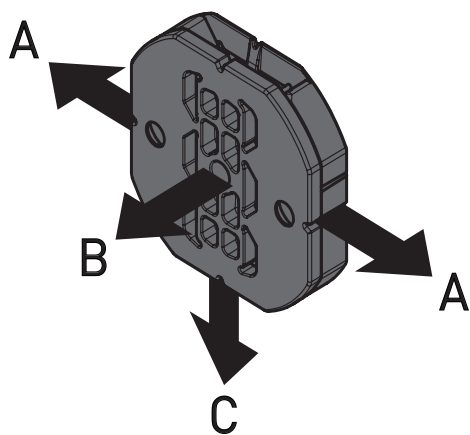
Installation Aids



Striplox Markout Jigs
These jigs can be used to accurately mark holes for mounting the Clip 50. Mount one half of the Clip 50 and use the correct jig to find the centres for mounting the other half.

Striplox Mark-Out Template
Developed to aid in the installation of all Striplox products.

Dimensions and Load Capacity



	Dimensions						Ind. Load Capacity		
--	-------------------	--	--	--	--	--	---------------------------	--	--

Units	W	D	T	U	H1	H2	A	B	C
Metric (mm/kg)	44.5	49.5	9.5	51	32	32	95	95	125
Imperial (in/lbs)	1.75	1.95	3/8	2.0	1.26	1.26	209	209	275

Striplox products are designed and tested for a range of applications. Product use is subject to variable material and conditions. Technical information and load ratings are a guide only without warranty. Joinlox will not be liable for any subsequent damage to, or loss from, the use of this product or information.

Visit www.striplox.com YouTube V=B6rbEuv4e5U or call 1800 JOINLOX to find out more about these installation aids.

Striplox™ and Joinlox® are trademark and patent protected internationally.

Installation Guide Clip 50 V-1.0 02.07.18