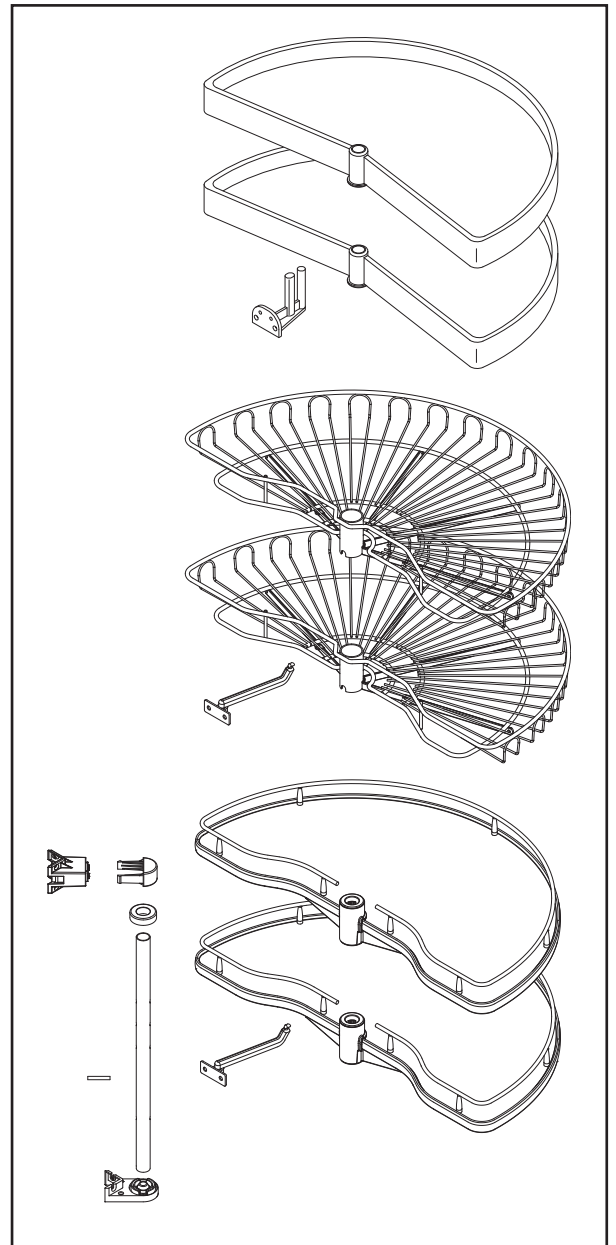
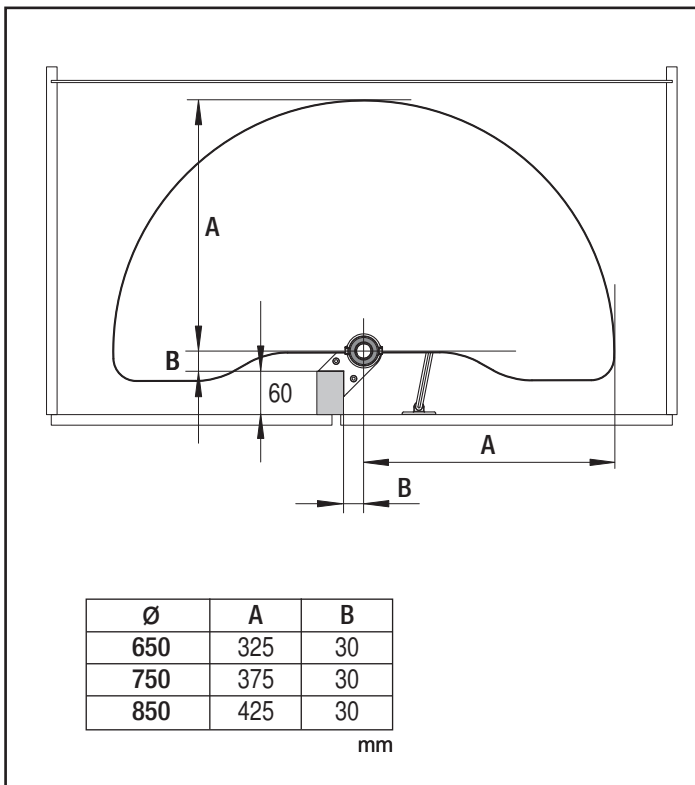
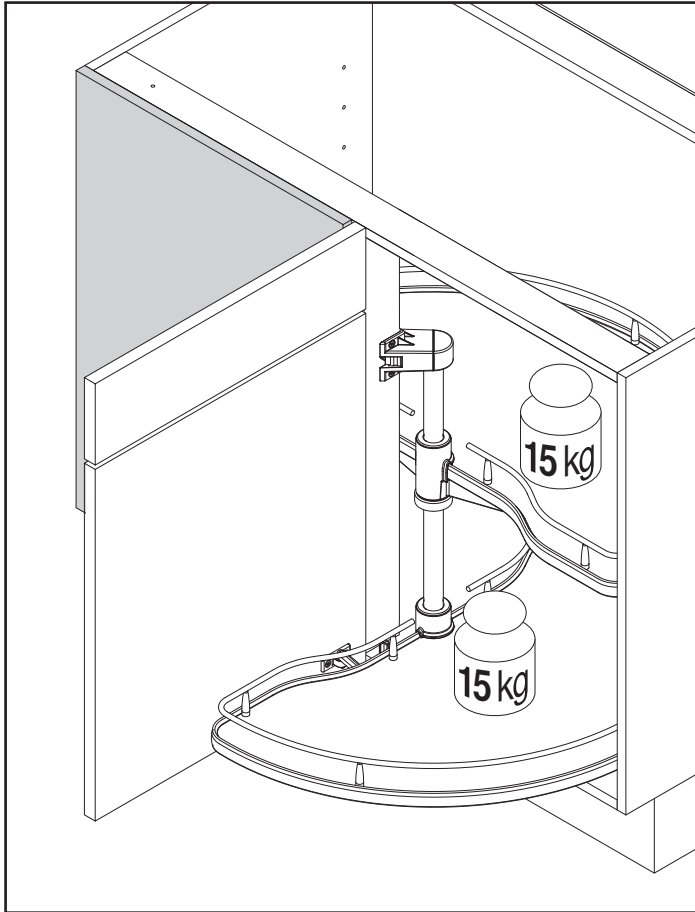
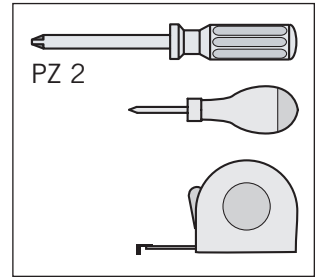


05 / 2017

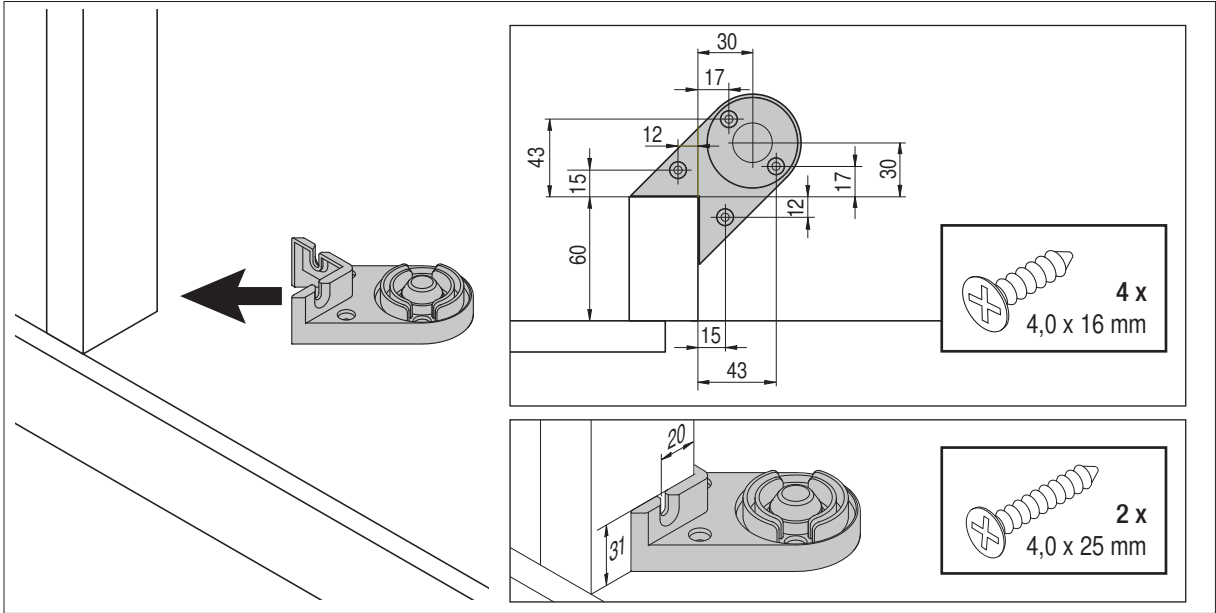


VS COR Wheel 2/4

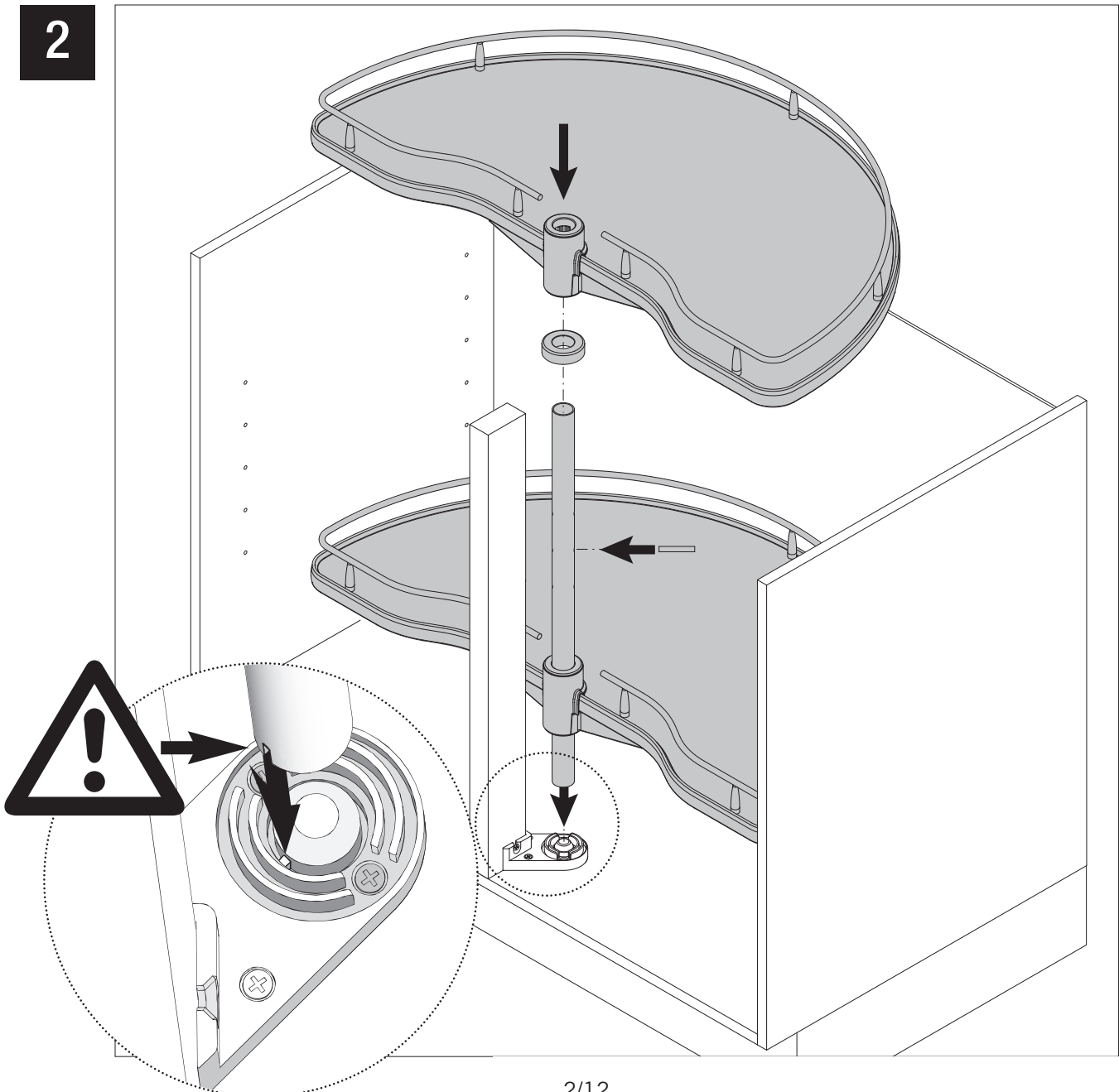


44007816_01 44007730_01 44007729_01

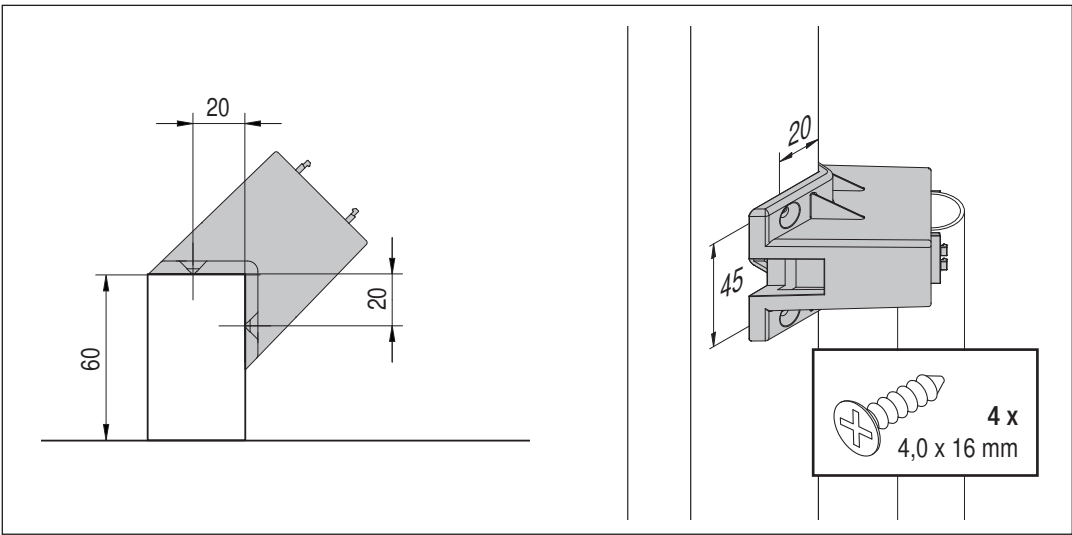
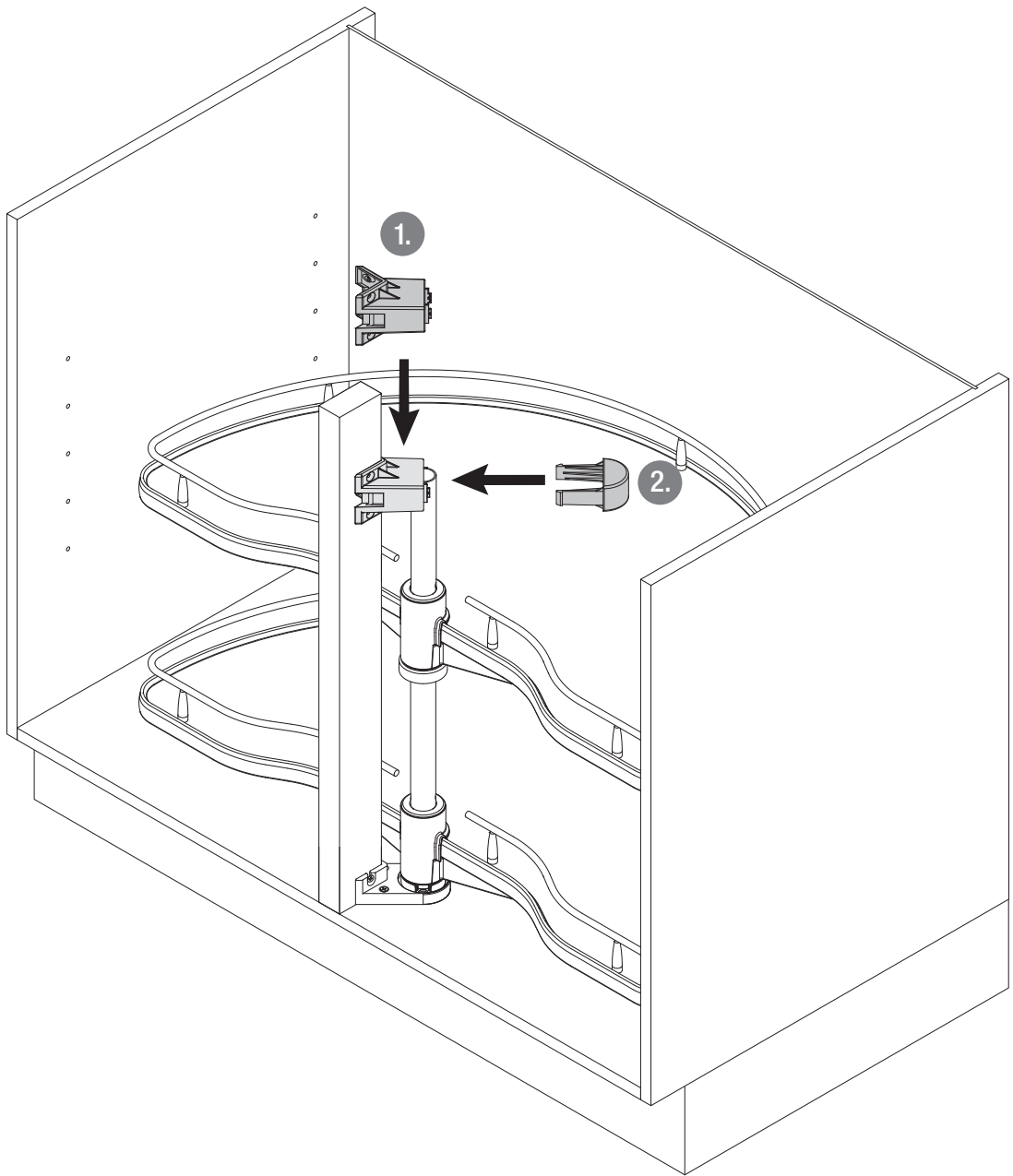
1



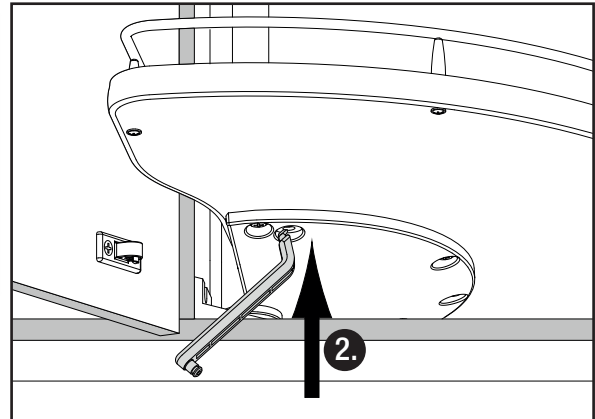
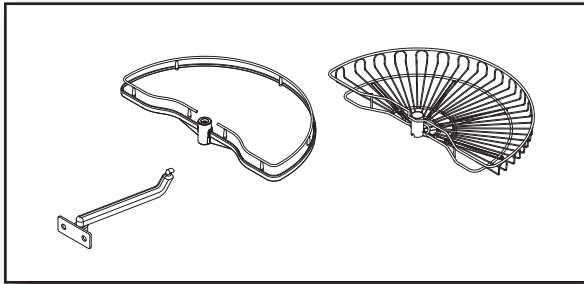
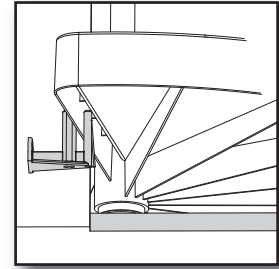
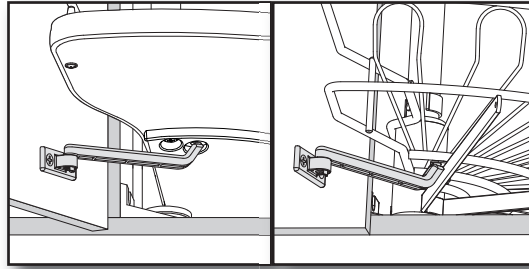
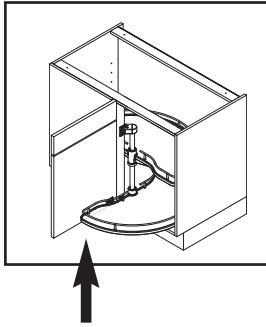
2





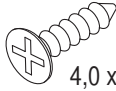
3



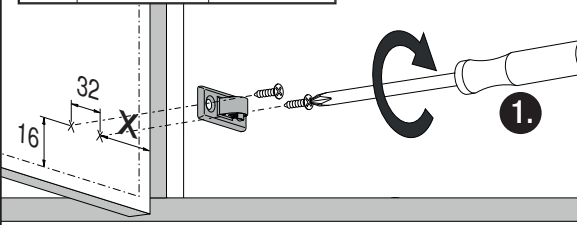
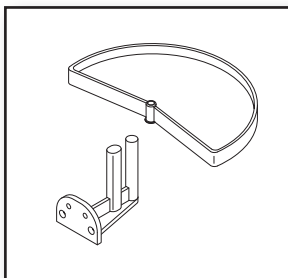
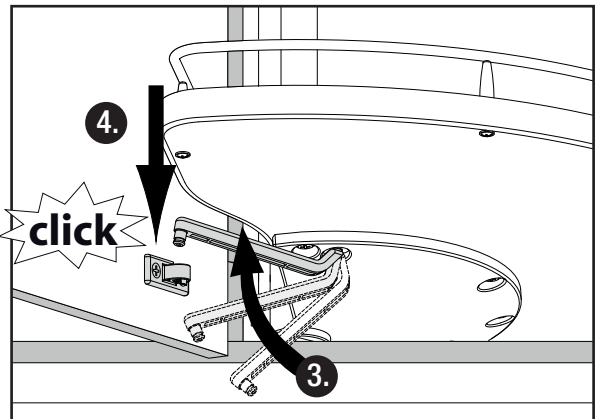
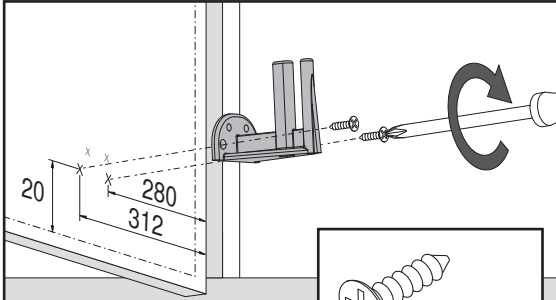
4




	X	
Ø		
650	86	92
750	86	92
850	158	92

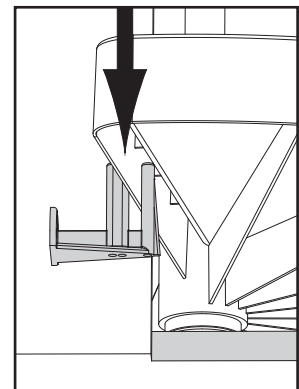


2 x
4,0 x 16 mm

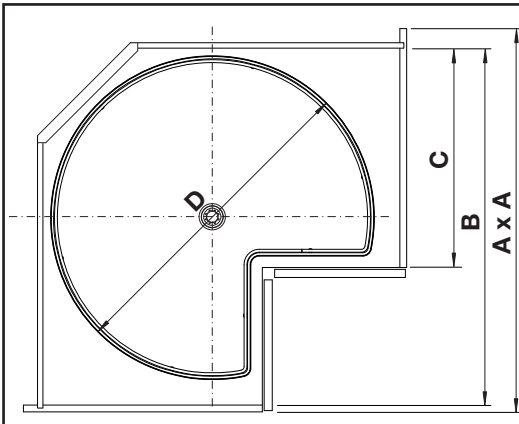
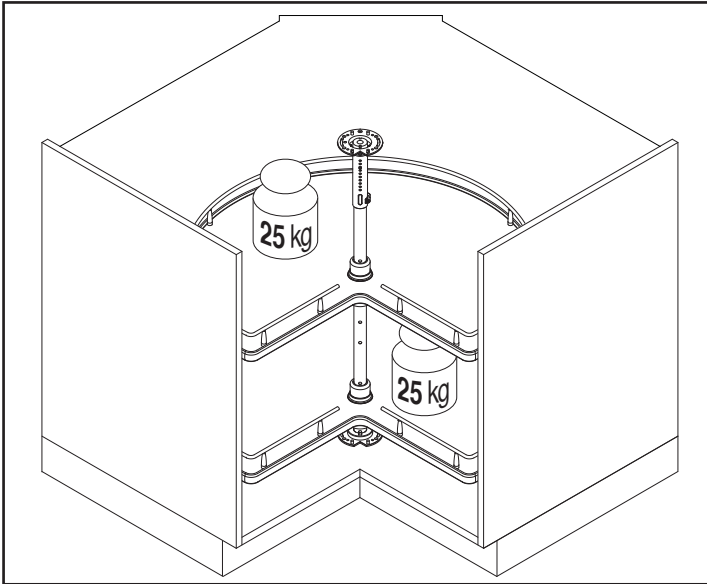





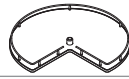



4,0 x 16 mm

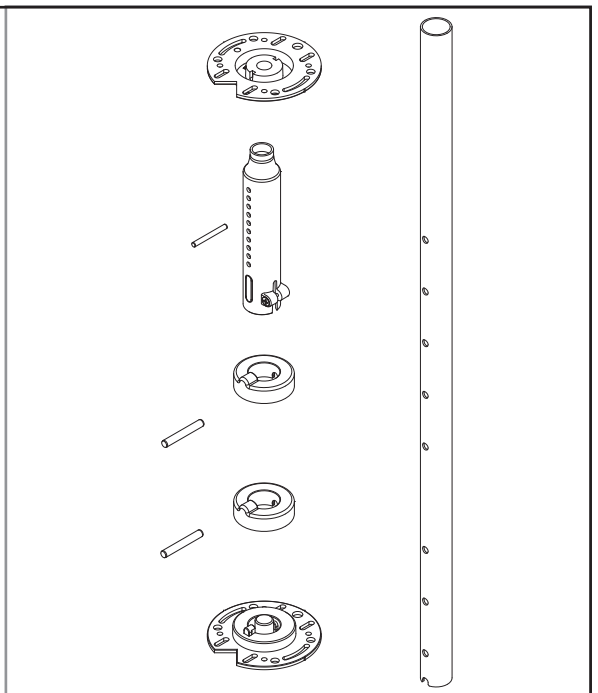
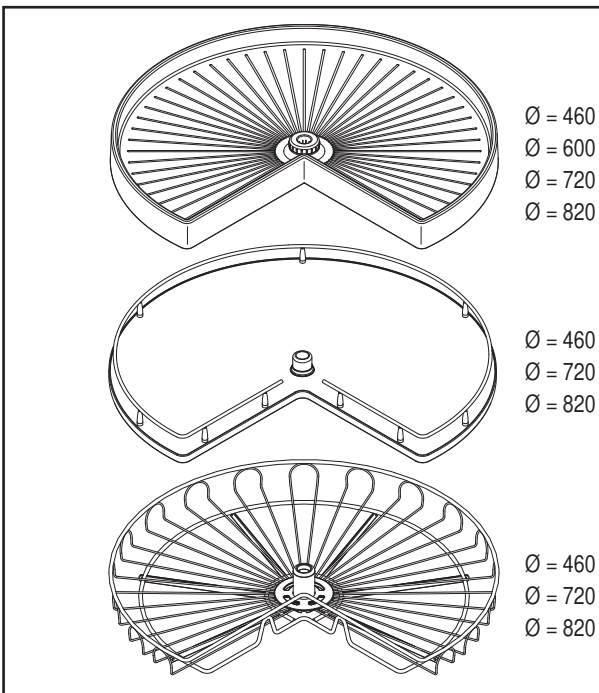


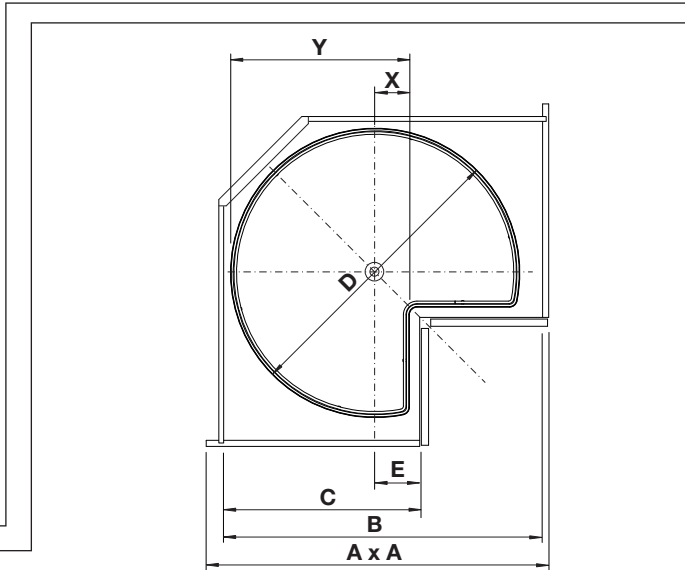
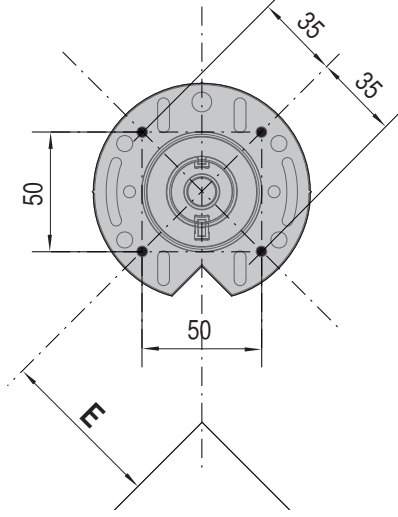
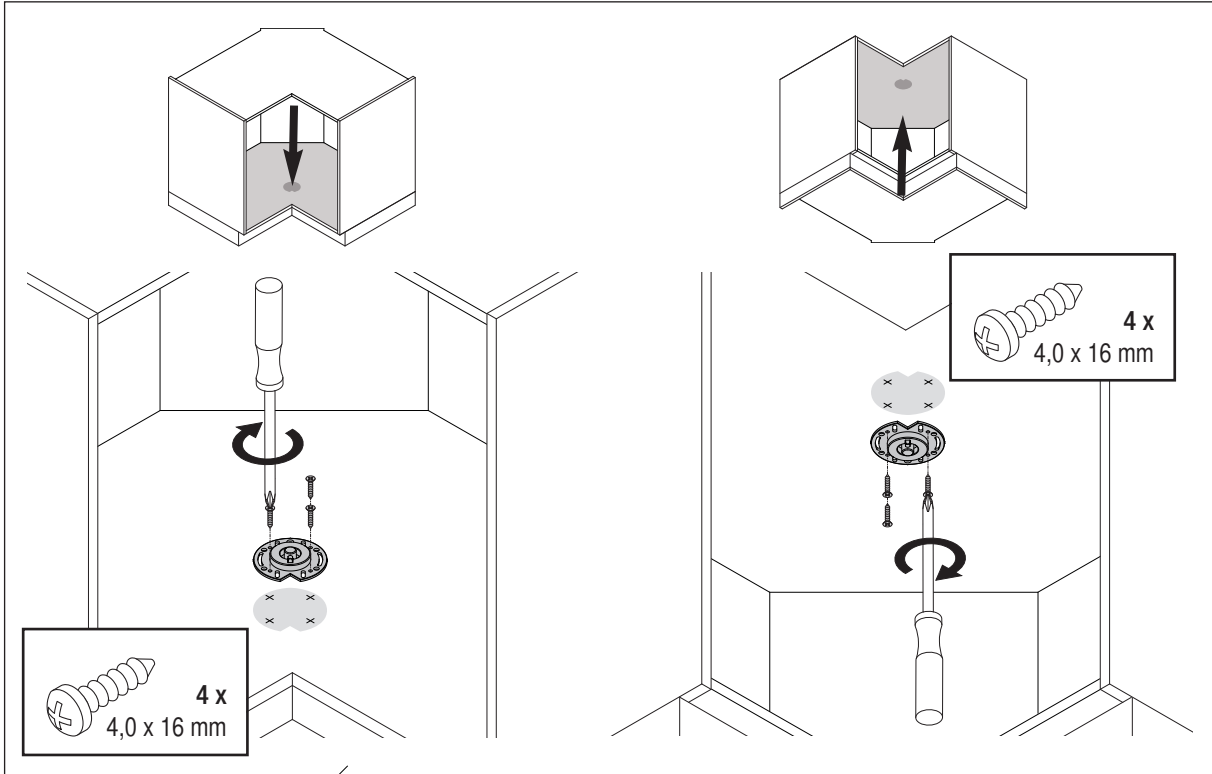
VS COR Wheel 3/4


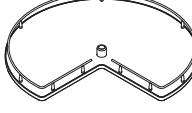



A x A	D	B	C		
					
600 x 600	460	> 490	> 295	> 300	> 292
650 x 650	460	> 490	> 295	> 300	> 292
800 x 800	600	> 640	> 412		
800 x 800	720	> 760	> 445	> 445	> 445
900 x 900	720	> 760	> 445	> 445	> 445
1050 x 1050	820	> 860	> 535	> 495	> 535

(mm)

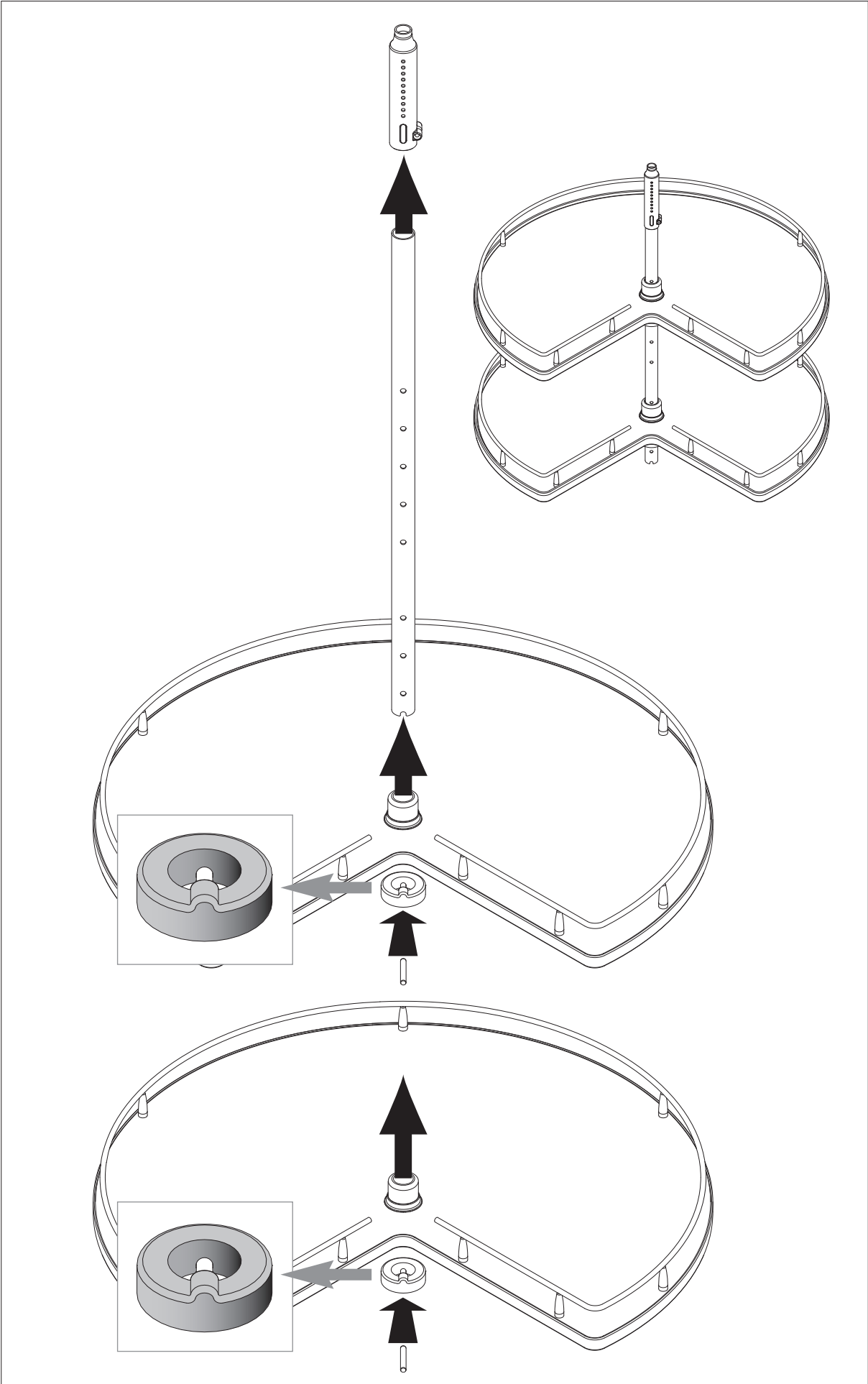




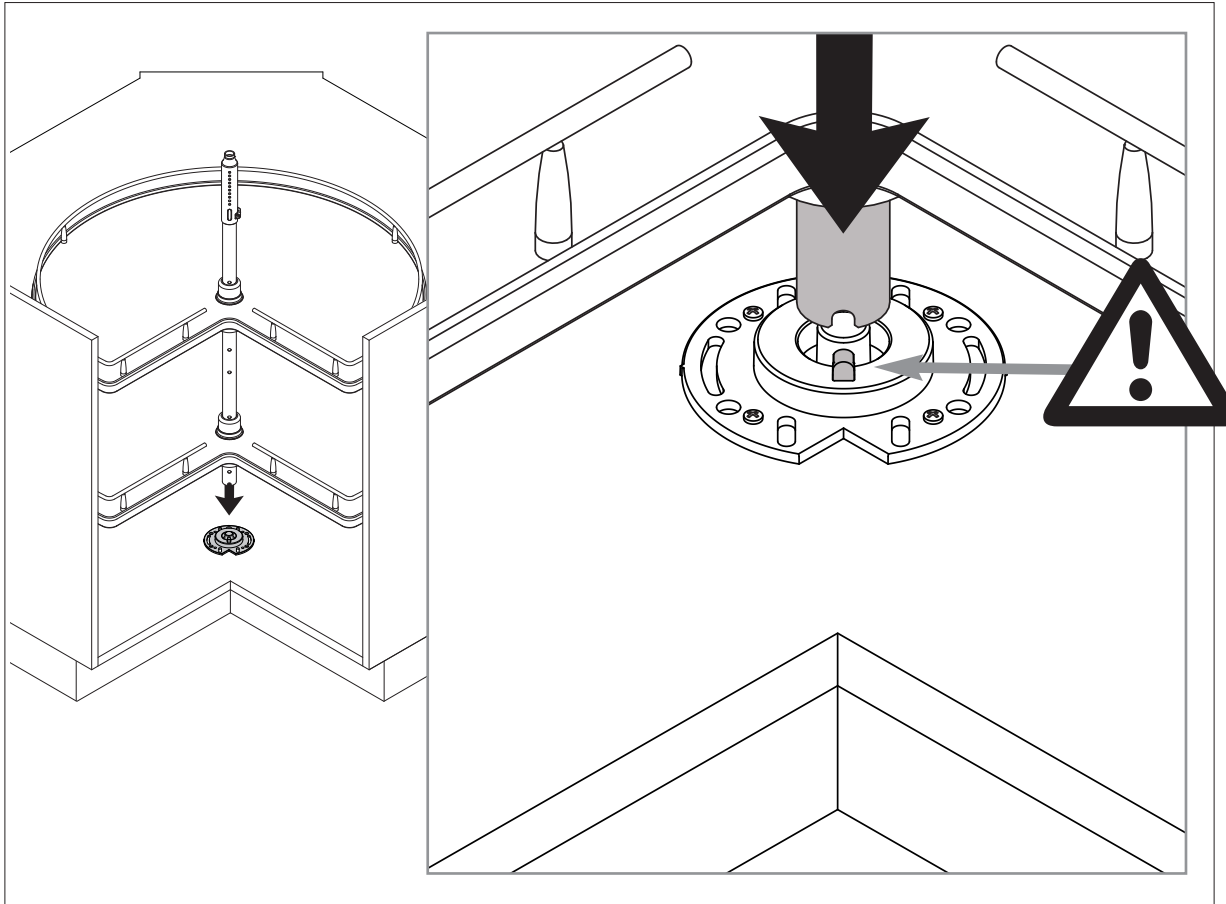
A x A	D	B												
			X	Y	C	E	X	Y	C	E	X	Y	C	E
600 x 600	460	≥ 490	45	275	≥ 295	≥ 55	50	280	≥ 300	≥ 60	42	272	≥ 292	≥ 52
650 x 650	460	≥ 490	45	275	≥ 295	≥ 55	50	280	≥ 300	≥ 60	42	272	≥ 292	≥ 52
800 x 800	600	≥ 640	77	377	≥ 412	≥ 92								
800 x 800	720	≥ 760	50	410	≥ 445	≥ 65	50	410	≥ 445	≥ 65	50	410	≥ 445	≥ 65
900 x 900	720	≥ 760	50	410	≥ 445	≥ 65	50	410	≥ 445	≥ 65	50	410	≥ 445	≥ 65
1050 x 1050	820	≥ 860	90	500	≥ 535	≥ 105	50	460	≥ 495	≥ 65	90	500	≥ 535	≥ 105

(mm)

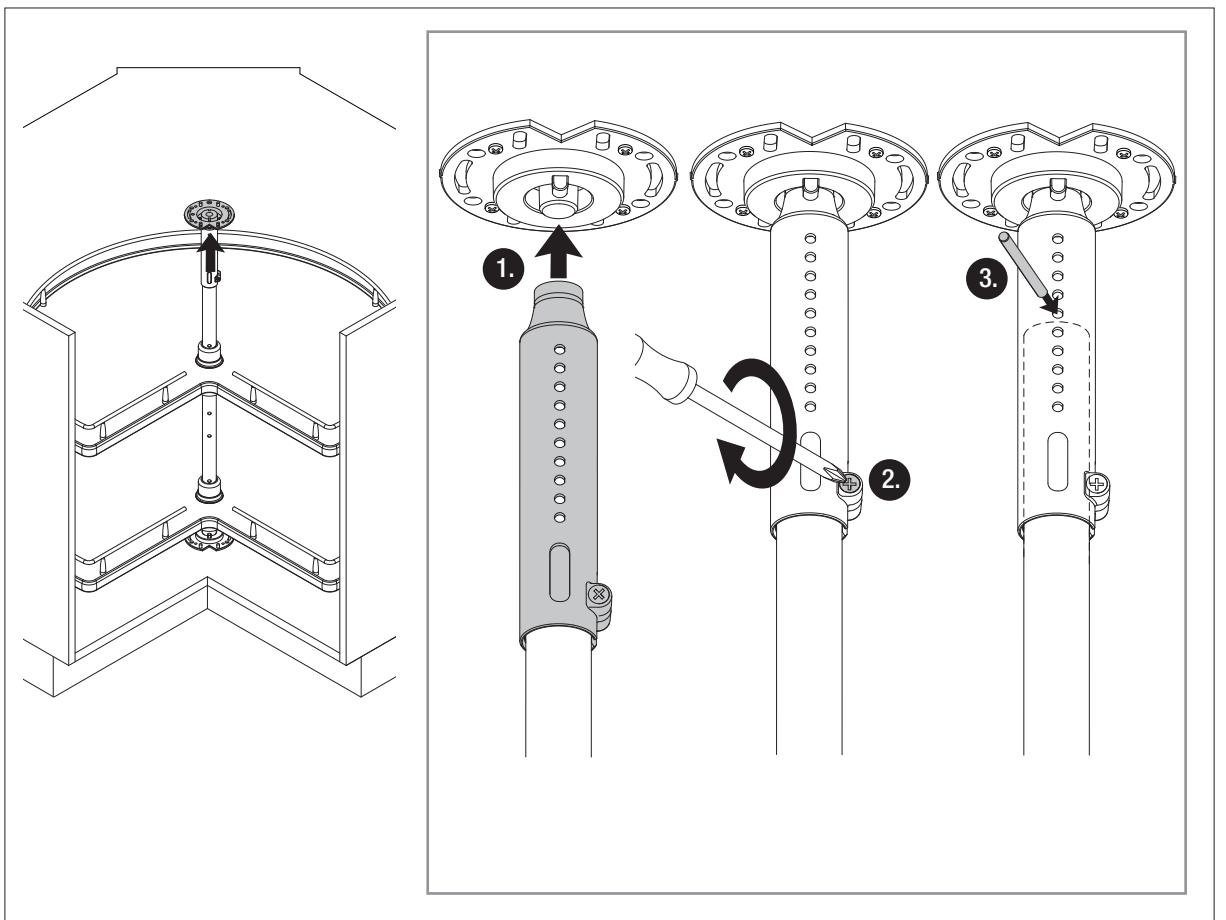
2



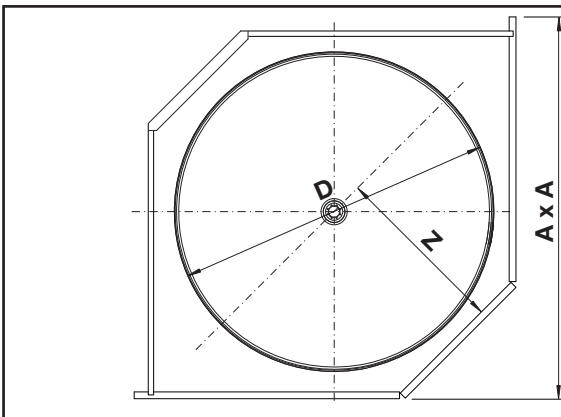
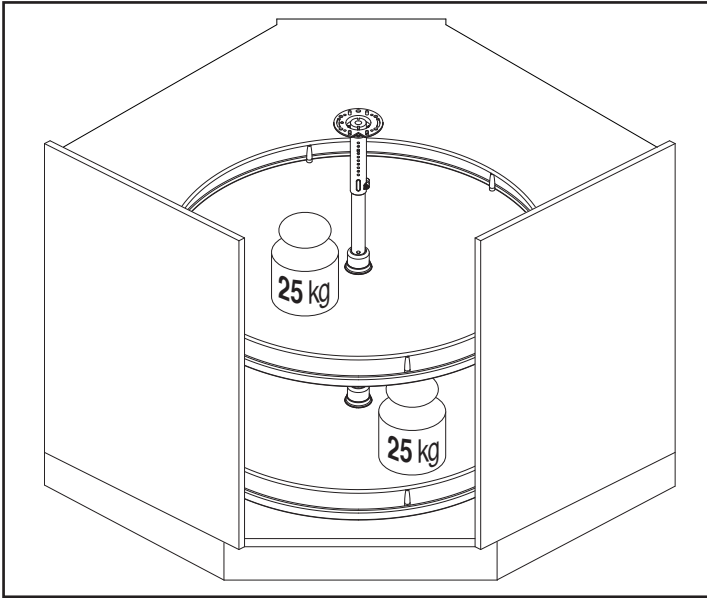
3



4

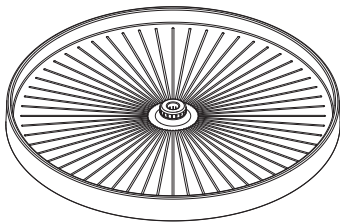


VS COR Wheel 4/4

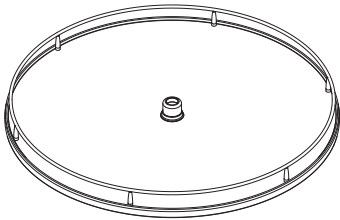


A x A	D	Z
600 x 600	460	≥ 240
650 x 650	460	≥ 240
800 x 800	600	≥ 315
800 x 800	720	≥ 375
900 x 900	720	≥ 375
1050 x 1050	820	≥ 425

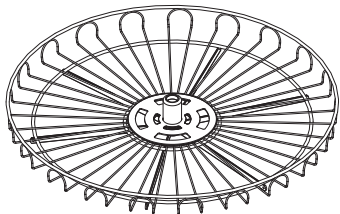
(mm)



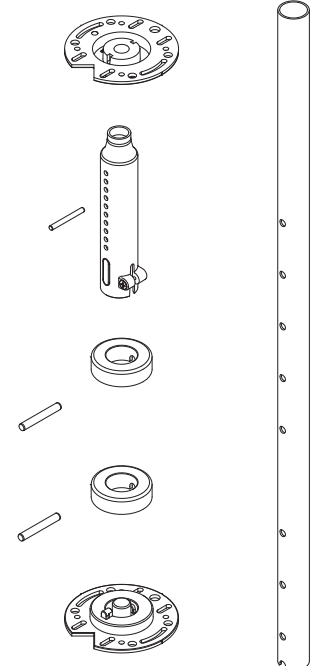
$\varnothing = 460$
 $\varnothing = 600$
 $\varnothing = 720$
 $\varnothing = 820$



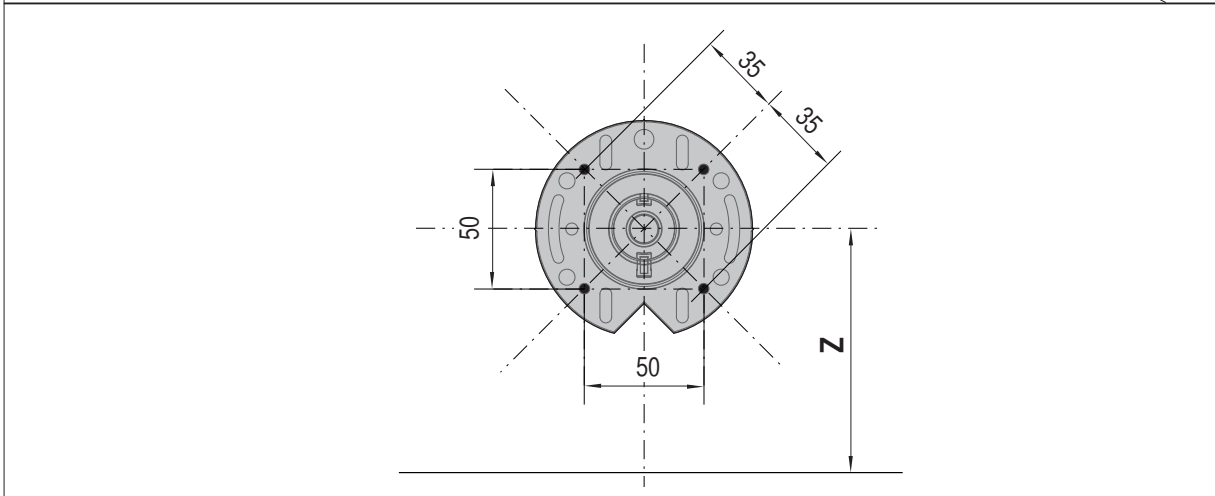
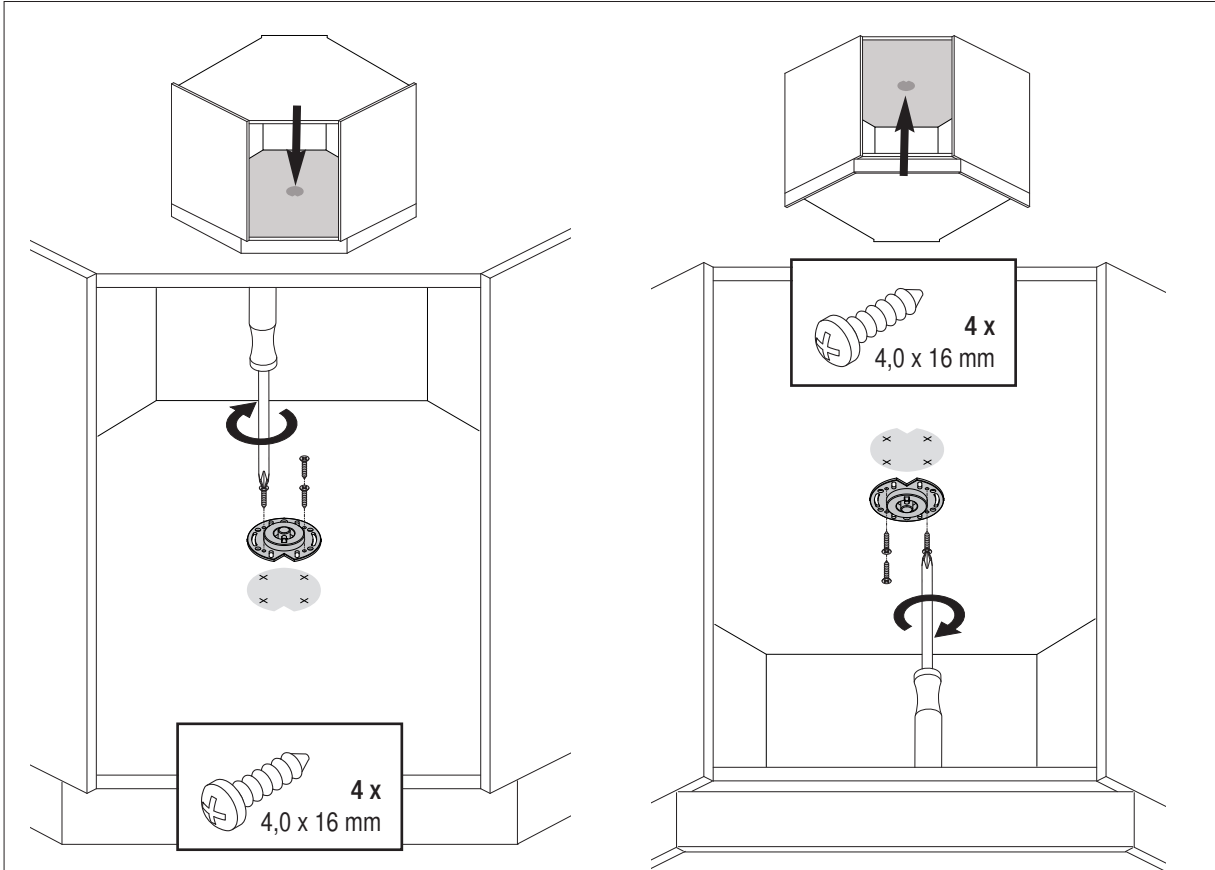
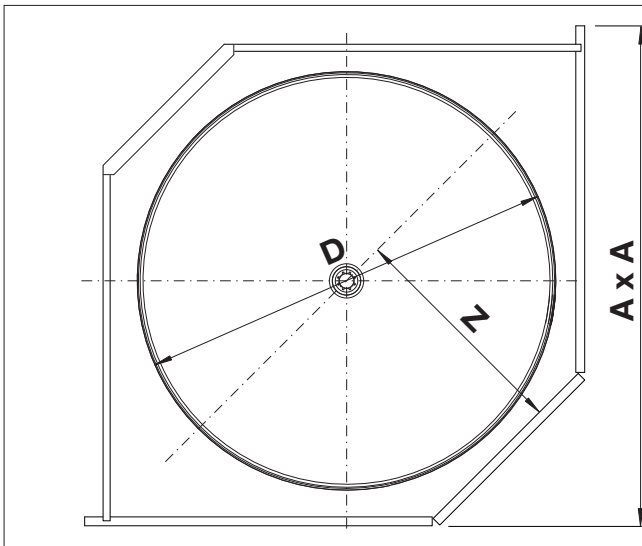
$\varnothing = 460$
 $\varnothing = 720$
 $\varnothing = 820$



$\varnothing = 460$
 $\varnothing = 720$
 $\varnothing = 820$



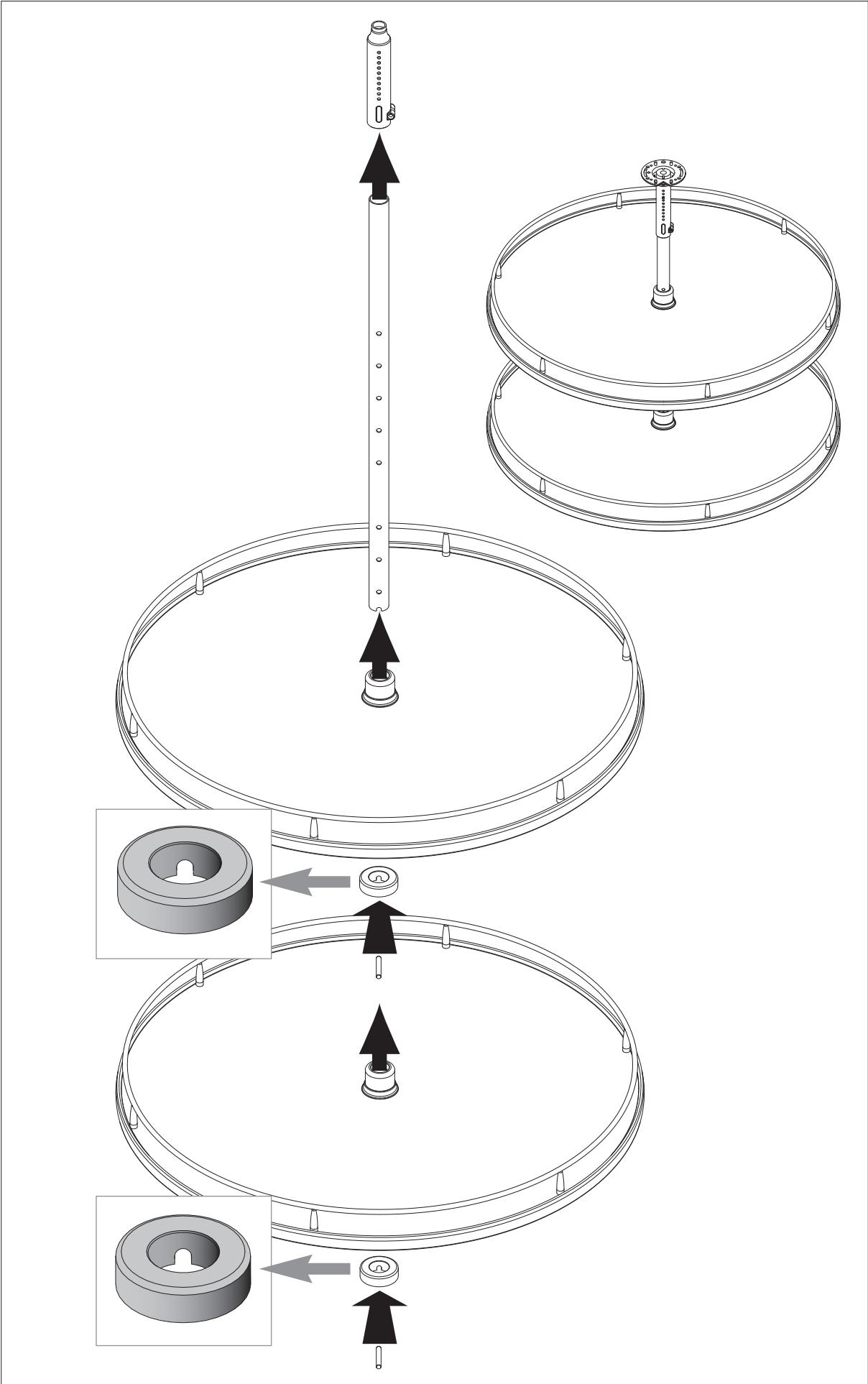
1

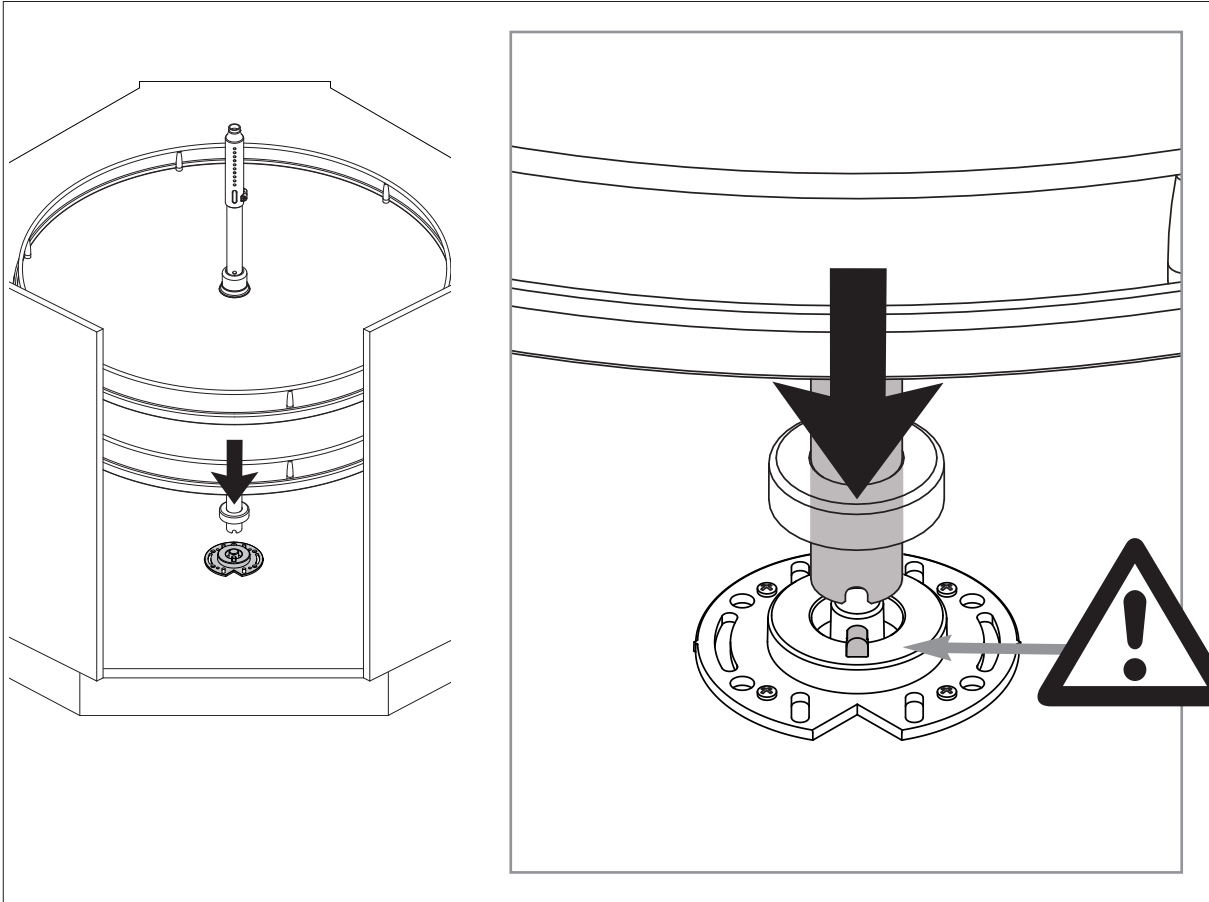
A x A	D	Z
600 x 600	460	≥ 240
650 x 650	460	≥ 240
800 x 800	600	≥ 315
800 x 800	720	≥ 375
900 x 900	720	≥ 375
1050 x 1050	820	≥ 425

(mm)

2



3



4

